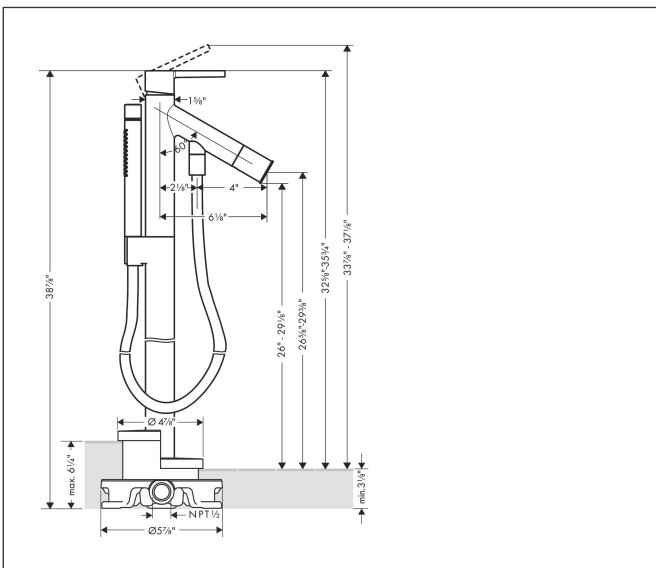


| | |
|-----------|---|
| Brand | AXOR |
| Art. Name | AXOR Starck Freestanding Tub Filler Trim with Lever Handle and 1.75 GPM Handshower |
| Art. Nr. | 10455001 |
| Surface | Chrome |
| Pos. | 1 |

Product Picture

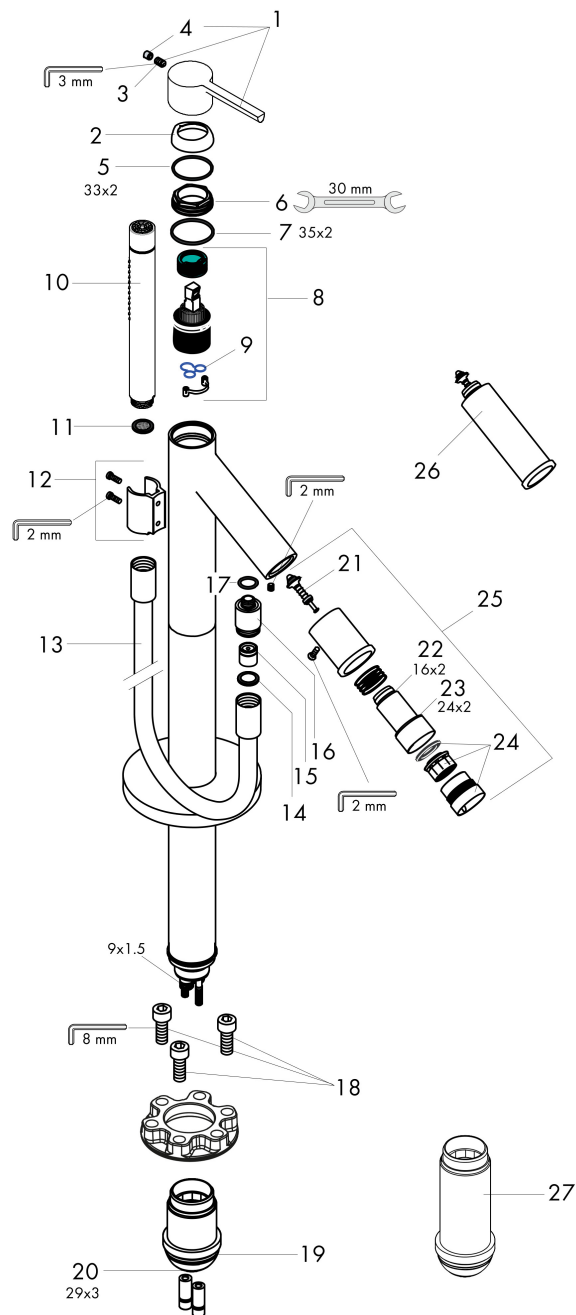


Drawing



Brand AXOR
 Art. Name **AXOR Starck** Freestanding Tub Filler Trim with Lever Handle and 1.75 GPM Handshower
 Art. Nr. 10455001
 Surface Chrome
 Pos. 1

Spare Parts Drawings for build year: >05/20



Brand AXOR
 Art. Name **AXOR Starck** Freestanding Tub Filler Trim with Lever Handle and 1.75 GPM Handshower
 Art. Nr. 10455001
 Surface Chrome
 Pos. 1

Spare parts list for build year: >05/20

| Pos. | Description | Article number |
|------|--------------------------------|----------------|
| 1 | handle | 92927000 |
| 2 | flange | 96763000 |
| 3 | hollow set screw M6x10 DIN 916 | 96029000 |
| 4 | screw cover | 96762000 |
| 5 | O-ring 33x2 | 98154000 |
| 6 | nut | 97209000 |
| 7 | O-ring 35x2 | 92604000 |
| 8 | cartridge, assy | 92730000 |
| 9 | seal | 95008000 |
| 10 | handshower | 04486000 |
| 11 | filter packing | 94246000 |
| 12 | shower holder, assy | 96295000 |
| 13 | shower hose 1,25 m | 28282000 |
| 14 | seal | 98058000 |
| 15 | set of non return valves DW 15 | 94074000 |
| 16 | connecting thread | 97527000 |
| 17 | O-ring 13x2 | 98128000 |
| 18 | hexagon socket screw M10x35 | 97670000 |
| 19 | O-ring 44x2,5 | 98162000 |
| 20 | O-ring 29x3 | 98371000 |
| 21 | selector | 96297000 |
| 22 | O-ring 16x2 | 98133000 |
| 23 | O-ring 24x2 | 98388000 |
| 24 | aerator M30x1 (25 l/min) | 96296000 |
| 25 | selector assy | 96294000 |
| 26 | extension for diverter 60 mm | 10981000 |
| 27 | extension set 60 mm | 97686000 |