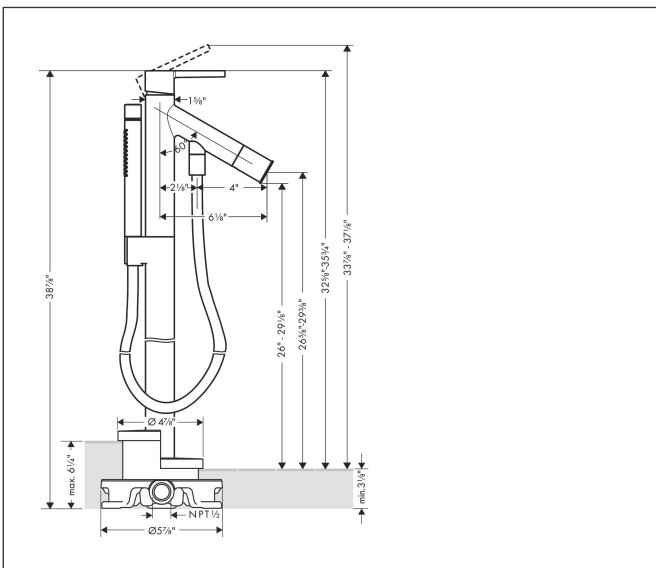


Brand	AXOR
Art. Name	AXOR Starck Freestanding Tub Filler Trim with Lever Handle and 1.75 GPM Handshower
Art. Nr.	10455251
Surface	Brushed Gold Optic
Pos.	1

Product Picture

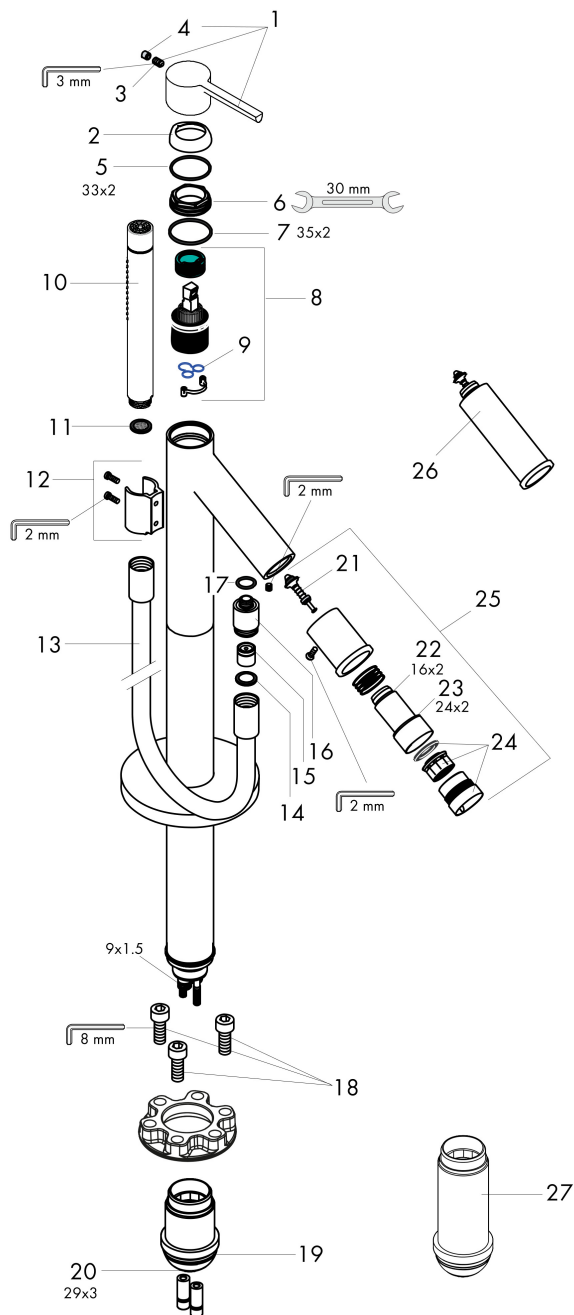


Drawing



Brand AXOR
 Art. Name **AXOR Starck** Freestanding Tub Filler Trim with Lever Handle and 1.75 GPM Handshower
 Art. Nr. 10455251
 Surface Brushed Gold Optic
 Pos. 1

Spare Parts Drawings for build year: >10/21



Brand AXOR
 Art. Name **AXOR Starck** Freestanding Tub Filler Trim with Lever Handle and 1.75 GPM Handshower
 Art. Nr. 10455251
 Surface Brushed Gold Optic
 Pos. 1

Spare parts list for build year: >10/21

Pos.	Description	Article number
1	handle	92927000
2	flange	96763250
3	hollow set screw M6x10 DIN 916	96029000
4	screw cover	96762000
5	O-ring 33x2	98154000
6	nut	97209000
7	O-ring 35x2	92604000
8	cartridge, assy	92730000
9	seal	95008000
10	handshower	04486250
11	filter packing	94246000
12	shower holder, assy	96295250
13	shower hose 1,25 m	28282250
14	seal	98058000
15	set of non return valves DW 15	94074000
16	connecting thread	97527250
17	O-ring 13x2	98128000
18	hexagon socket screw M10x35	97670000
19	O-ring 44x2,5	98162000
20	O-ring 29x3	98371000
21	selector	96297000
22	O-ring 16x2	98133000
23	O-ring 24x2	98388000
24	aerator M30x1 (25 l/min)	96296250
25	selector assy	96294250
26	extension for diverter 60 mm	10981250
27	extension set 60 mm	97686000