

Brand	AXOR
Art. Name	AXOR Starck Organic 2-Handle Faucet 80 with Pop-Up Drain, 1.2 GPM
Art. Nr.	12010001
Surface	Chrome
Pos.	1

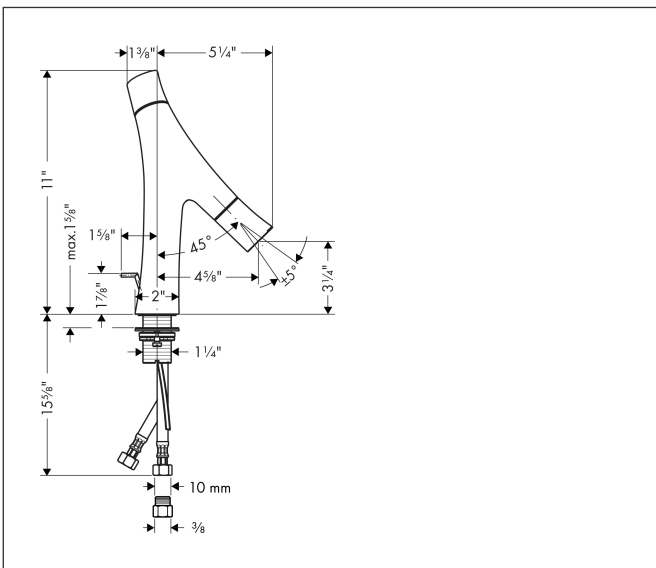
Product Picture



Features

- Handle design: cylinder handle
- Spray pattern: shower spray
- Maximum flow rate (at 3 bar): 3.4 l/min
- Flow rate booster at 3 bar: 4.5 l/min
- Ceramic valve for volume control
- ceramic cartridge for temperature control
- Separation of temperature and volume control
- Pop-up drain G 1

Drawing

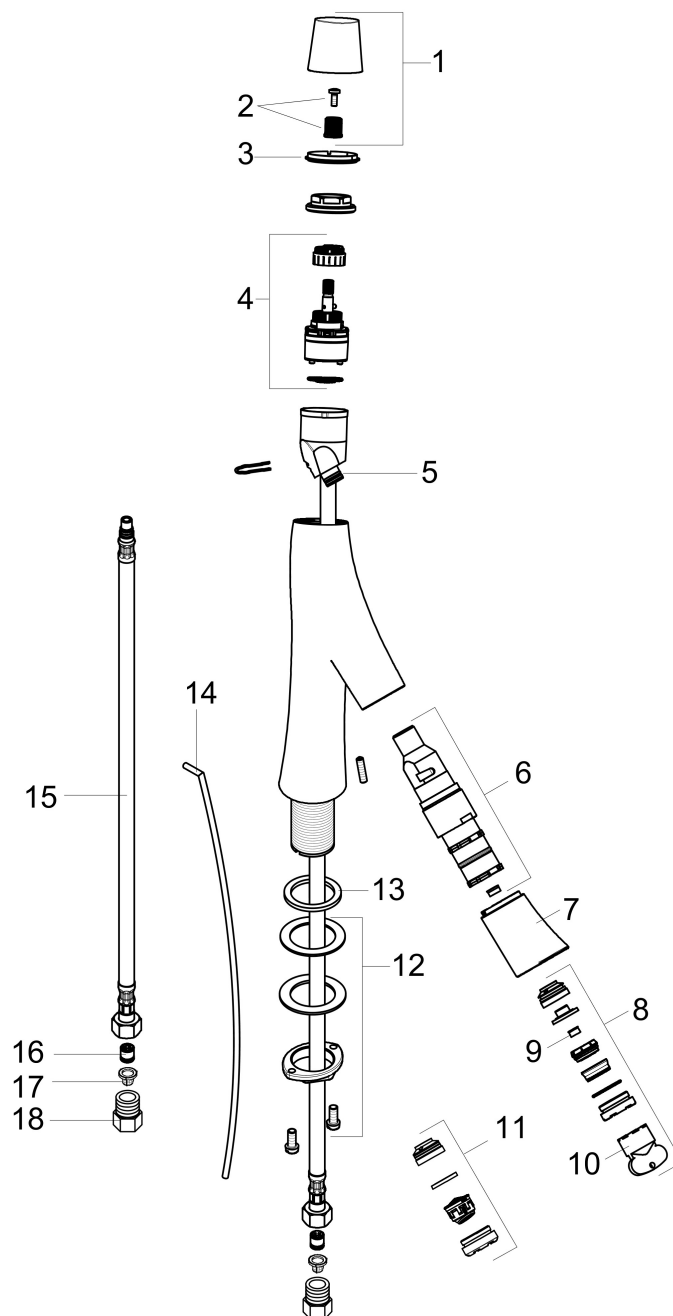


Technology



Brand AXOR
Art. Name **AXOR Starck Organic** 2-Handle Faucet 80 with Pop-Up Drain, 1.2 GPM
Art. Nr. 12010001
Surface Chrome
Pos. 1

Spare Parts Drawings for build year: >03/13



Brand AXOR
 Art. Name **AXOR Starck Organic** 2-Handle Faucet 80 with Pop-Up Drain, 1.2 GPM
 Art. Nr. 12010001
 Surface Chrome
 Pos. 1

Spare parts list for build year: >03/13

Pos.	Description	Article number
1	handle	98296000
2	handle fixing set	98932000
3	color-ring cold / hot water	98304000
4	cartridge, assy	98303000
5	O-ring 11x1,5	98385000
6	shut off cartridge	98301000
7	spout cpl.	98297000
8	spray former	98299000
9	flow limiter (5 l/min)	95311000
10	special tool	95158000
11	aerator M24x1 (7 l/min)	98300000
12	fixing set (Ø 32)	13961000
13	flat seal	98749000
14	pull rod	96923000
15	connection hose 600 mm M8x0,75 G3/8	95664000
16	non return valve DW 10	96456000
17	filter packing	95291000
18	adapter for connection hose	88802000
a	fixation extension 35 mm	13898000
b	pop up waste	88509000