

Brand	AXOR
Art. Name	AXOR Starck Organic 2-Handle Faucet 80, 1.2 GPM, without Pop-up Drain
Art. Nr.	12011001
Surface	Chrome
Pos.	1

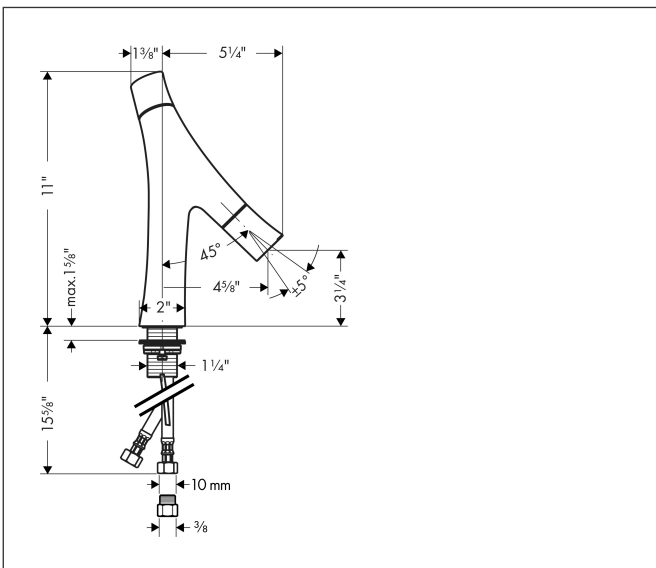
Product Picture



Features

- Handle design: cylinder handle
- Spray pattern: shower spray
- Maximum flow rate (at 3 bar): 3.4 l/min
- Flow rate booster at 3 bar: 4.5 l/min
- Ceramic valve for volume control
- ceramic cartridge for temperature control
- Separation of temperature and volume control

Drawing

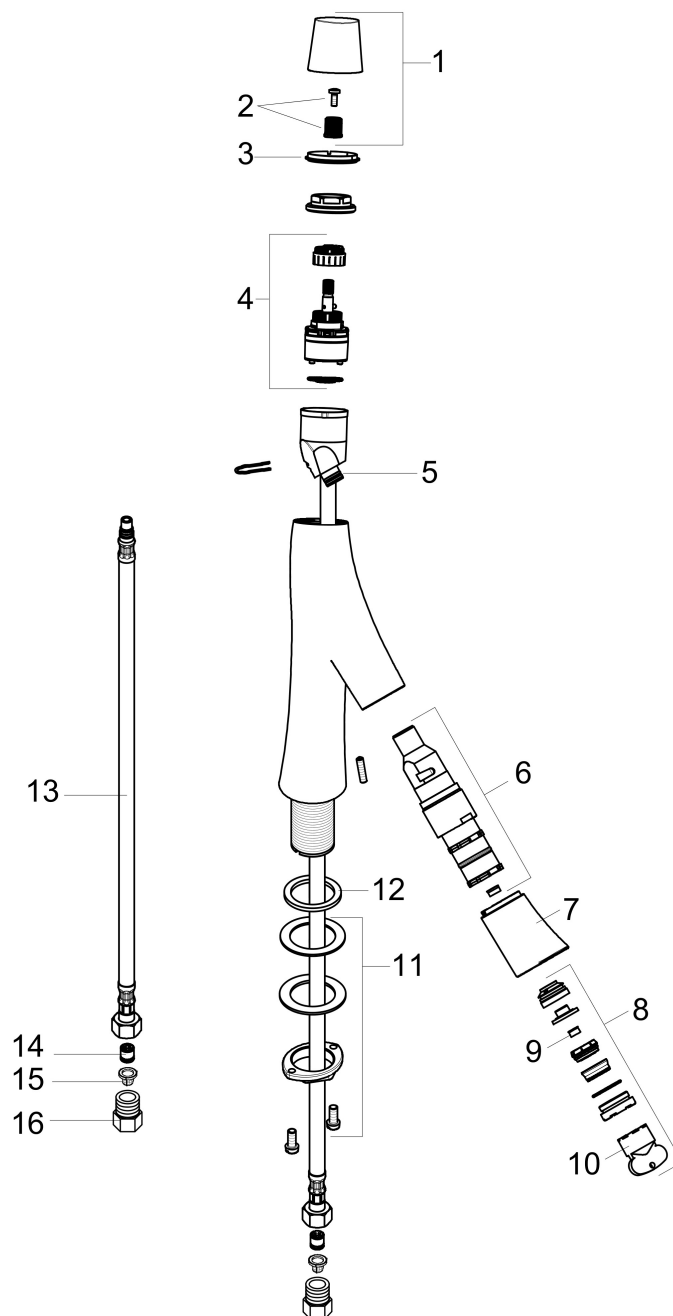


Technology



Brand AXOR
Art. Name **AXOR Starck Organic** 2-Handle Faucet 80, 1.2 GPM, without Pop-up Drain
Art. Nr. 12011001
Surface Chrome
Pos. 1

Spare Parts Drawings for build year: >07/16



Brand AXOR
 Art. Name **AXOR Starck Organic** 2-Handle Faucet 80, 1.2 GPM, without Pop-up Drain
 Art. Nr. 12011001
 Surface Chrome
 Pos. 1

Spare parts list for build year: >07/16

Pos.	Description	Article number
1	handle	98296000
2	handle fixing set	98932000
3	color-ring cold / hot water	98304000
4	cartridge, assy	98303000
5	O-ring 11x1,5	98385000
6	shut off cartridge	98301000
7	spout cpl.	98297000
8	spray former	98299000
9	flow limiter (4 l/min)	92491000
10	special tool	95158000
11	fixing set (Ø 32)	13961000
12	flat seal	98749000
13	connection hose 600 mm M8x0,75 G3/8	95664000
14	non return valve DW 10	96456000
15	filter packing	95291000
16	adapter for connection hose	88802000
a	pop up waste	88509000