

Brand	AXOR
Art. Name	AXOR Starck Organic Electronic Faucet with Temperature Control, 0.5 GPM, without Pop-up Drain
Art. Nr.	12171001
Surface	Chrome
Pos.	1

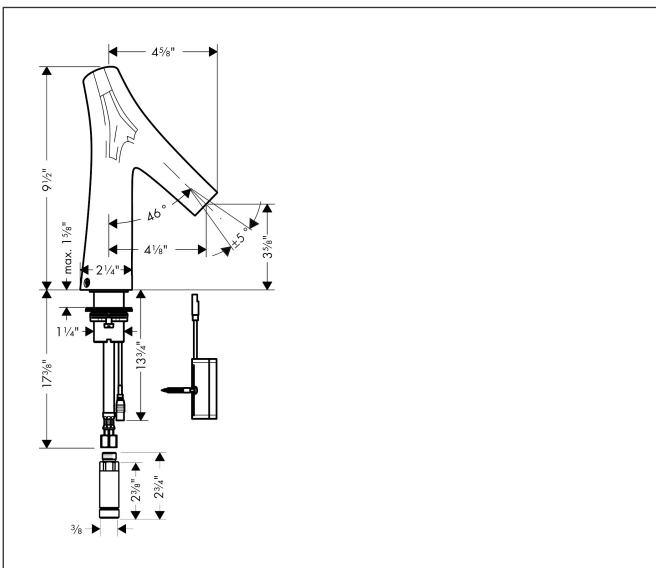
Product Picture



Features

- Spray pattern: shower spray
- Maximum flow rate (at 3 bar): 1.9 l/min
- Temperature adjustable via handle on the side
- Infrared sensor technology
- Battery operation 6V (lifetime approx. 2 years, battery included in scope of supply)
- Flushing time: 10 s
- Frequency of hygiene rinse: 24 h
- Flushing time hygiene rinse: 10 s
- Cleaning mode: manual water stop for hand sink cleaning
- 3/8" compression

Drawing

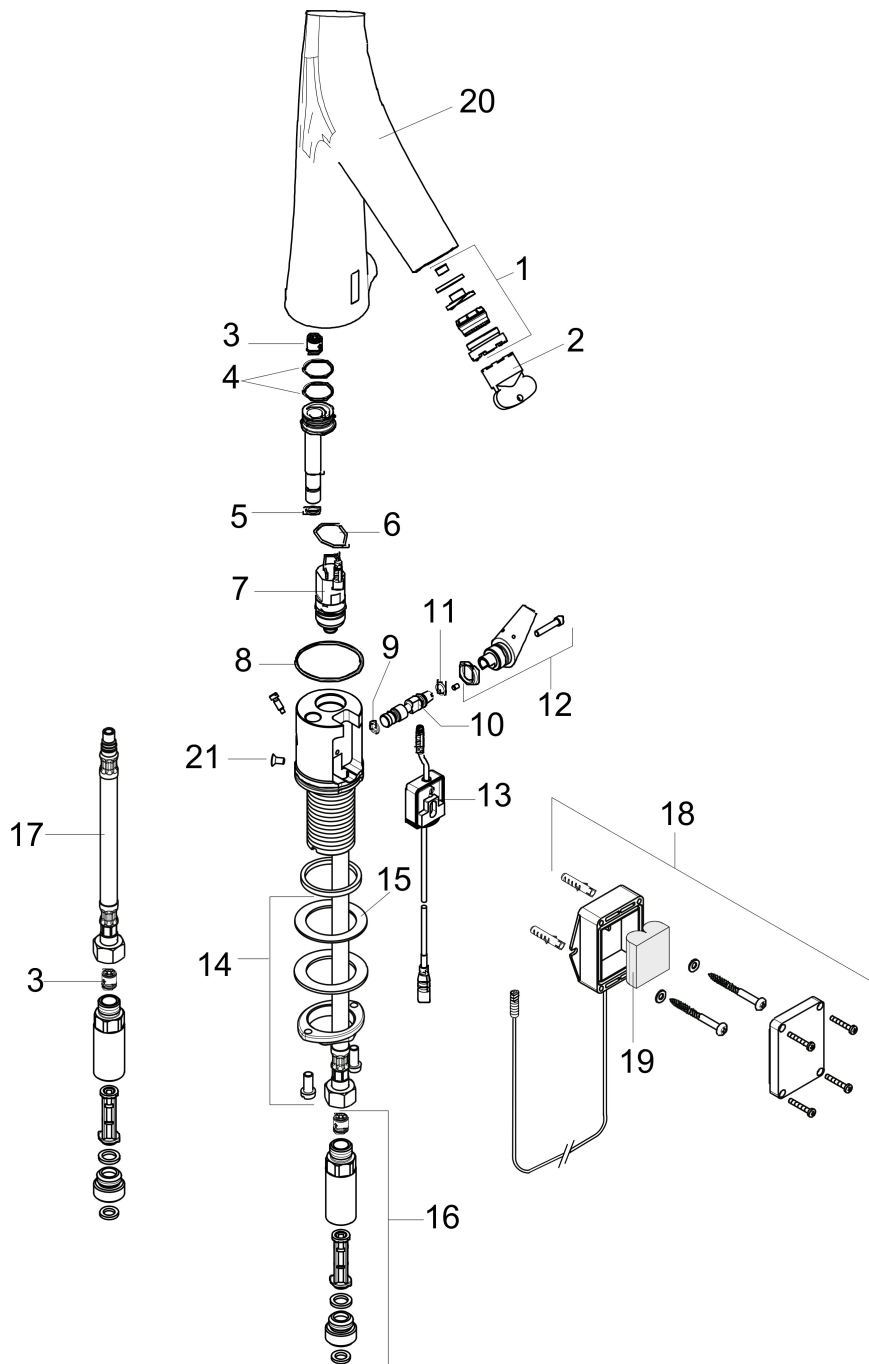


Technology



Brand AXOR
Art. Name **AXOR Starck Organic** Electronic Faucet with Temperature Control, 0.5 GPM,
without Pop-up Drain
Art. Nr. 12171001
Surface Chrome
Pos. 1

Spare Parts Drawings for build year: >06/15



Brand AXOR
 Art. Name **AXOR Starck Organic** Electronic Faucet with Temperature Control, 0.5 GPM,
 without Pop-up Drain
 Art. Nr. 12171001
 Surface Chrome
 Pos. 1

Spare parts list for build year: >06/15

Pos.	Description	Article number
1	spray former	92408001
2	special tool	95158000
3	non return valve DW 10	96456000
4	O-ring 18x1,5	98231000
5	O-ring 7x1,5	98422000
6	O-ring 17x2	98199000
7	solenoid valve	95654000
8	O-ring 41x2	98212000
9	O-ring 5x2	98215000
10	mixing shaft	92377000
11	O-ring 6x2	98458000
12	sliding gear lever	92409000
13	electronics	92346000
14	fixing set (Ø 32)	13961000
15	lever collar	97548000
16	back flow preventor cartridge with microfilter	92297000
17	connection hose 450 mm	92345000
18	battery box	98801000
19	battery CR-P2 / 6V lithium	97399000
20	mixer-hood	92808000
21	screw	93272000