

Brand AXOR  
 Art. Name **AXOR ShowerComposition** 2-Jet Shower Module and Shoulder Shower, 2.5 GPM  
 Art. Nr. 12594671  
 Product Finish Matte Black  
 Pos. 29



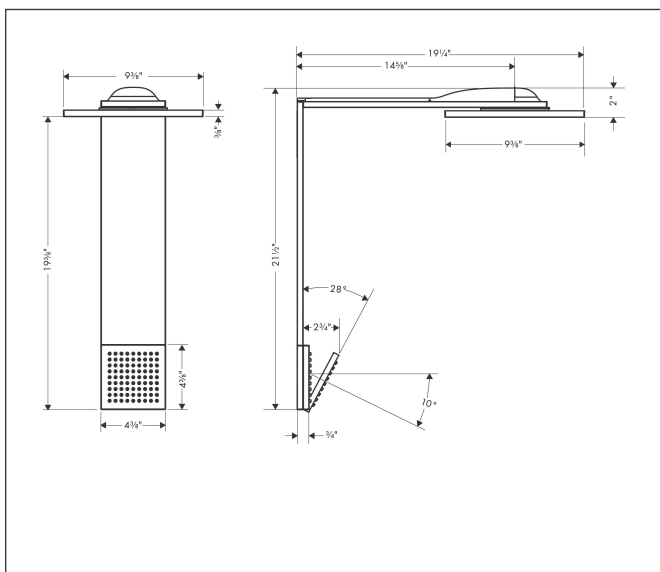
## Product Picture



## Features

- Consists of: shower module, shoulder shower
- Shower head size: 9.84" x 9.84"
- Projection: 19.21"
- Spray type overhead shower: PowderRain, Intense PowderRain
- Material spray disc: Metal
- Spraytype shoulder shower: PowderRain
- Flow rate of shoulder shower at 3 bar: 2.5 GPM (9.5 L/Min)
- Flow: 2.5 GPM (9.5 L/Min)
- Connection type: basic set
- Shower arm length: 14.56"

## Drawing



## Technology



## Spray Types

