

Brand AXOR  
Art. Name **AXOR Starck Organic** Thermostatic Trim  
Art. Nr. 12711001  
Surface Chrome  
Pos. 1

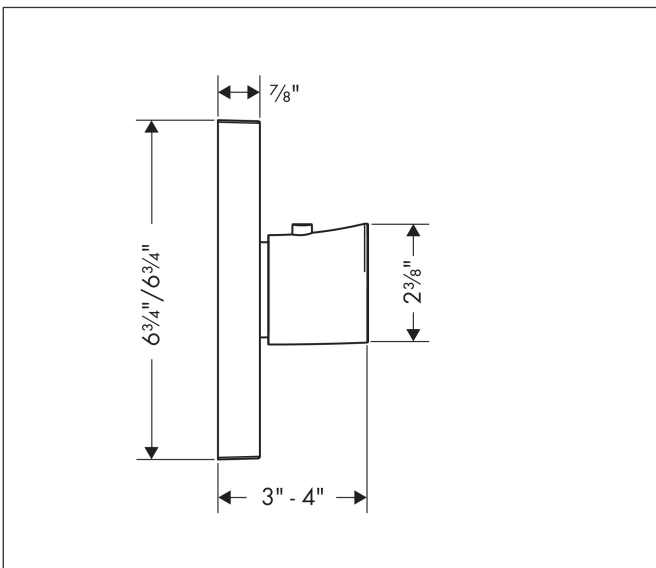
## Product Picture



## Features

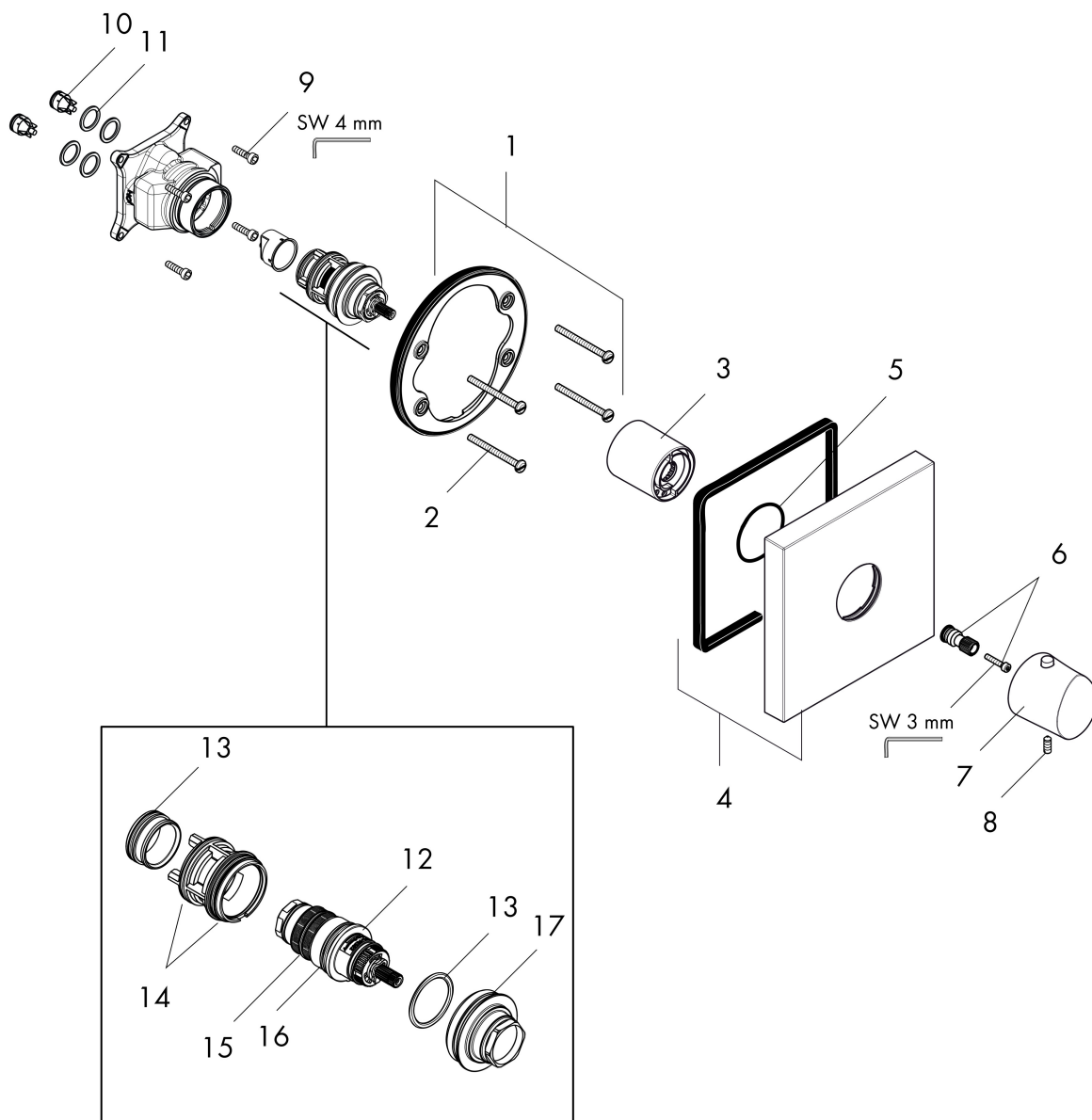
- Thermostat cartridge
- Maximum flow rate (at 3 bar): 22.7 l/min
- Safety stop at 40°C

## Drawing



Brand AXOR  
Art. Name **AXOR Starck Organic** Thermostatic Trim  
Art. Nr. 12711001  
Surface Chrome  
Pos. 1

## Spare Parts Drawings for build year: >08/23



Brand AXOR  
 Art. Name **AXOR Starck Organic** Thermostatic Trim  
 Art. Nr. 12711001  
 Surface Chrome  
 Pos. 1

## Spare parts list for build year: >08/23

Pos.	Description	Article number
1	holder for escutcheon	98793000
2	set of fixing screws	96454000
3	sleeve	97439000
4	escutcheon	98318001
5	O-Ring 48x3	95508000
6	adapter for handle	96435000
7	handle for thermostat	98313001
8	hollow set screw M5x16	97666000
9	set of screws	96525000
10	set of non return valves DW 15	97350000
11	O-ring 16x2	98133000
12	thermostat cartridge	98282000
13	O-ring 26x2	98147000
14	O-ring 34x2	98383000
15	O-ring 25x1,5	98146000
16	O-ring 25x2,5	92146000
17	O-ring 38x2,5	98198000
a	extension 25 mm	13595000
b	extension 22 mm	97407000
c	base body	01850181