

Brand AXOR
Art. Name **AXOR Starck Organic** Diverter Trim Trio/Quattro 5" x 5"
Art. Nr. 12731001
Surface Chrome
Pos. 1

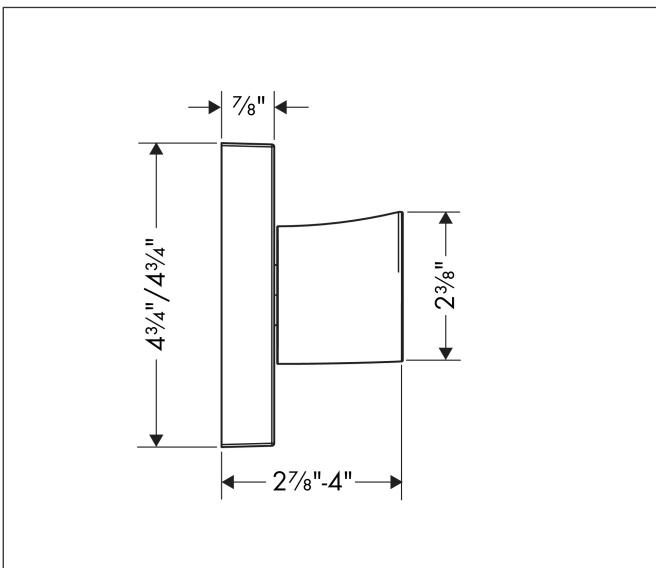
Product Picture



Features

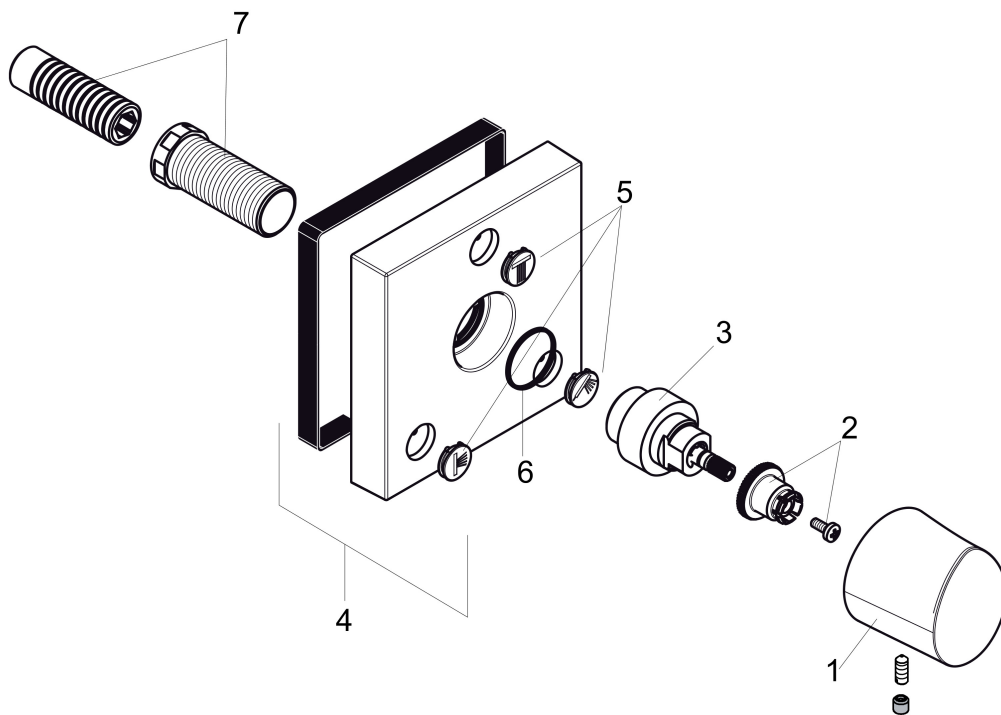
- Handle, sleeve, metal escutcheon

Drawing



Brand AXOR
Art. Name **AXOR Starck Organic** Diverter Trim Trio/Quattro 5" x 5"
Art. Nr. 12731001
Surface Chrome
Pos. 1

Spare Parts Drawings for build year: >03/13



Brand AXOR
Art. Name **AXOR Starck Organic** Diverter Trim Trio/Quattro 5" x 5"
Art. Nr. 12731001
Surface Chrome
Pos. 1

Spare parts list for build year: >03/13

Pos.	Description	Article number
1	handle	98312001
2	handle fixing set	94184000
3	adapter for handle	95153000
4	escutcheon	98323000
5	set of symbols	95238000
6	O-ring 13x2	98128000
7	fixing set	96393000