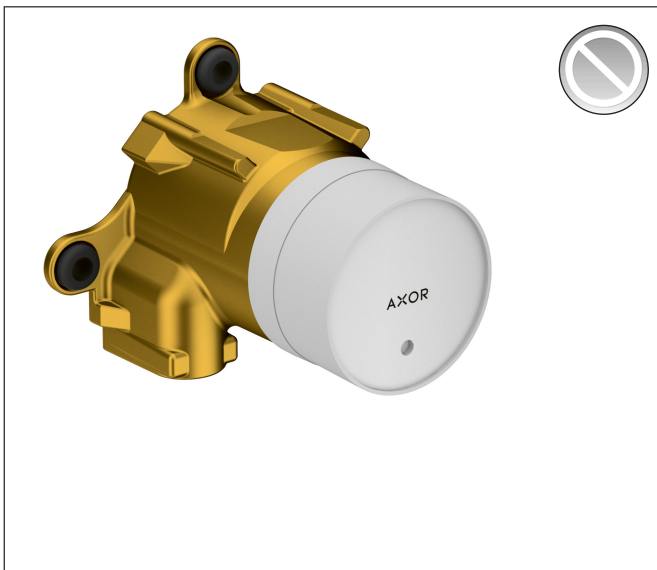


Brand AXOR
Art. Name Rough, Wall-Mounted Single-Handle Faucet
Art. Nr. 13625181
Pos. 1

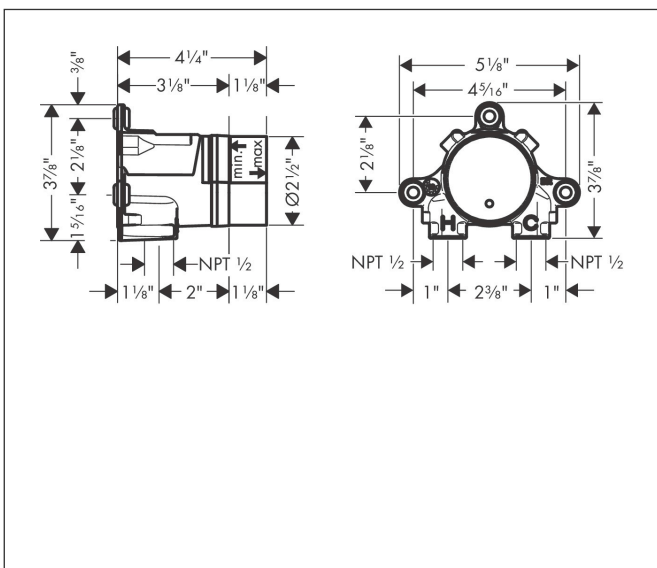
Product Picture



Features

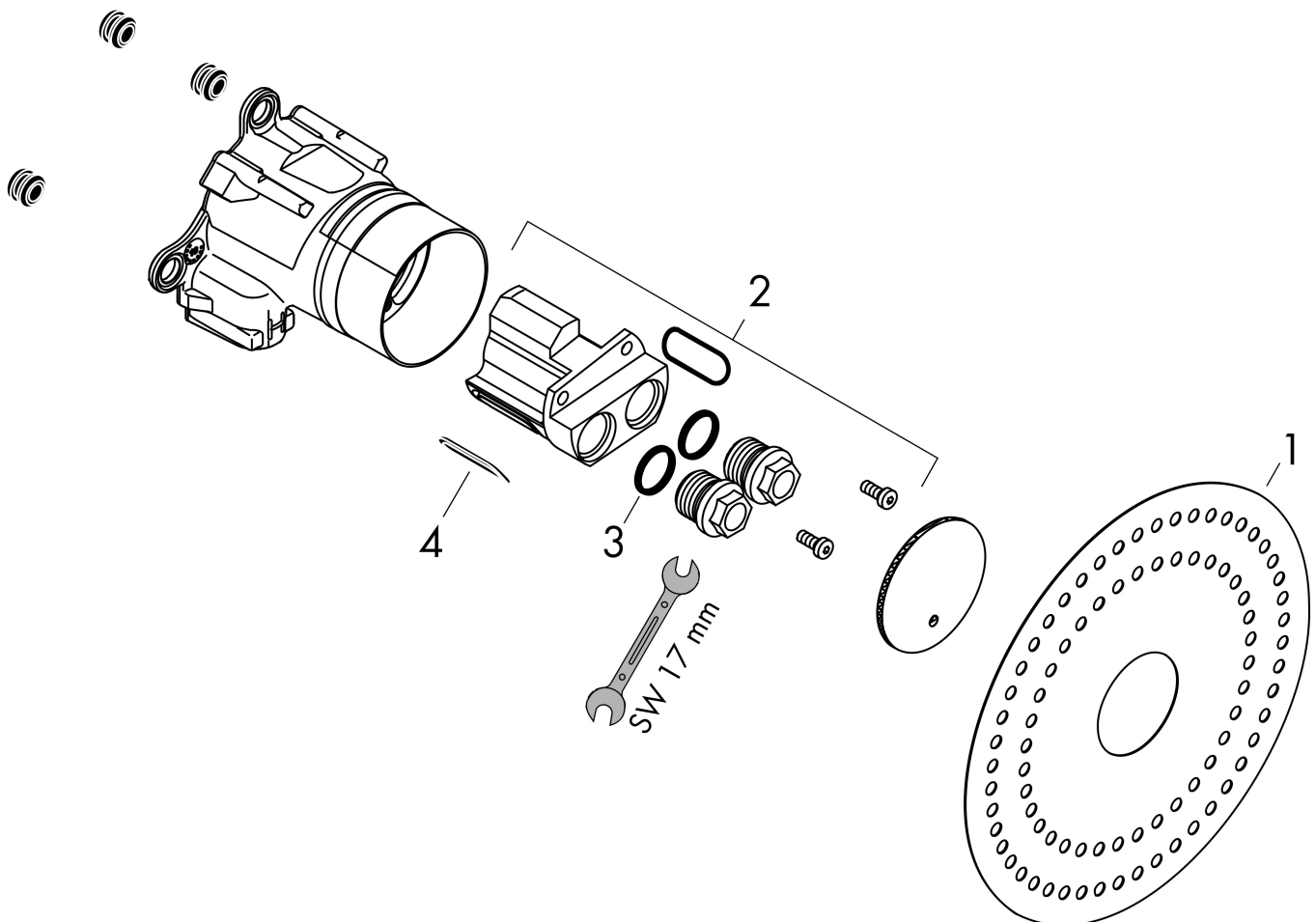
- Sound-decoupled installation

Drawing



Brand AXOR
Art. Name Rough, Wall-Mounted Single-Handle Faucet
Art. Nr. 13625181
Pos. 1

Spare Parts Drawings for build year: >10/21



Brand AXOR
Art. Name Rough, Wall-Mounted Single-Handle Faucet
Art. Nr. 13625181
Pos. 1

Spare parts list for build year: >10/21

| Pos. | Description | Article number |
|------|------------------------|----------------|
| 1 | sealing foil | 96493000 |
| 2 | flushing unit complete | 94289000 |
| 3 | O-ring 18x2 | 98181000 |
| 4 | O-ring 25x2,5 | 92146000 |