

Brand AXOR
Art. Name **AXOR Montreux** Handshower Holder
Art. Nr. 16325340
Surface Brushed Black Chrome
Pos. 1

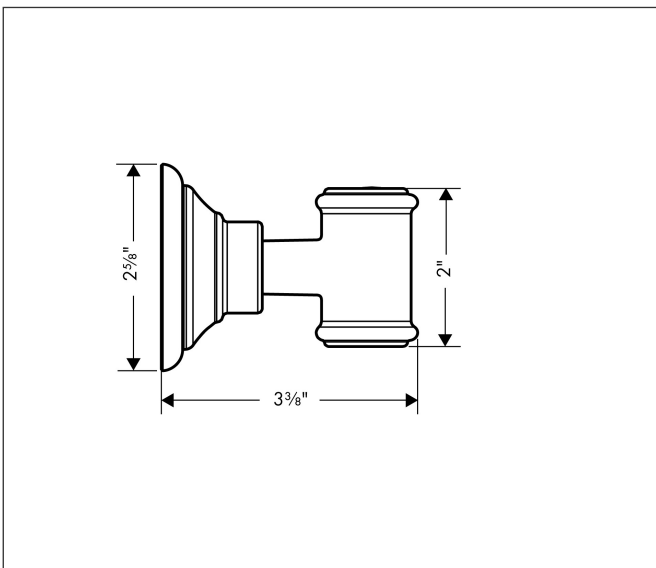
Product Picture



Features

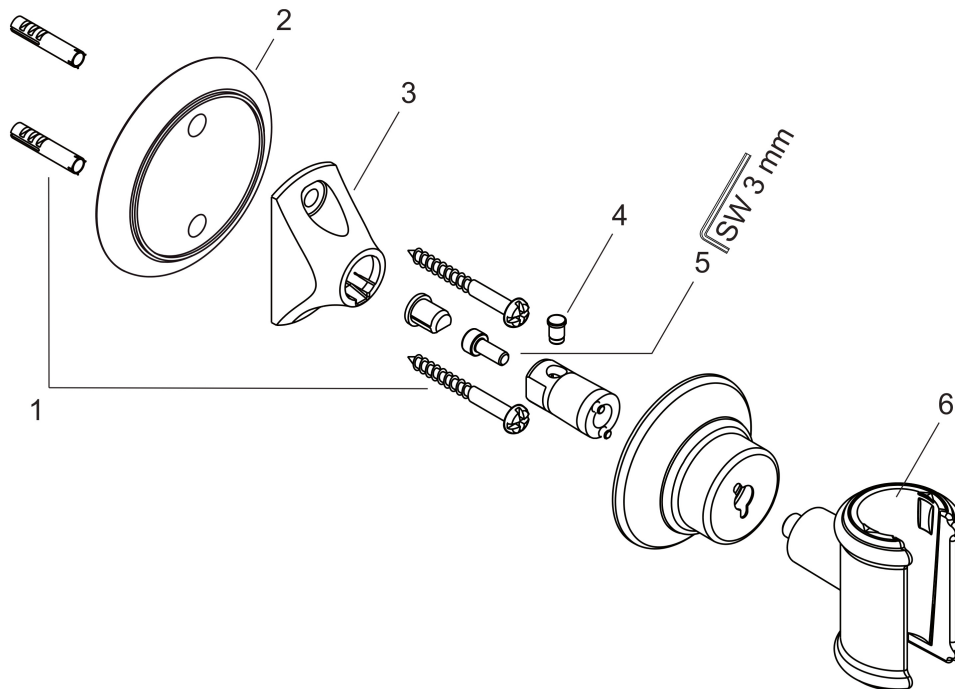
- For hose with conical nut
- Wall-mounted
- Dimensions: 68 x 68 x 84 mm (HxWxD)
- Diameter drill hole: 6 mm
- 2 drilled holes

Drawing



Brand AXOR
Art. Name **AXOR Montreux** Handshower Holder
Art. Nr. 16325340
Surface Brushed Black Chrome
Pos. 1

Spare Parts Drawings for build year: >11/16



Brand AXOR
Art. Name **AXOR Montreux** Handshower Holder
Art. Nr. 16325340
Surface Brushed Black Chrome
Pos. 1

Spare parts list for build year: >11/16

Pos.	Description	Article number
1	mounting set	96179000
2	tile-matching-disk 7 mm	95538340
3	support element	96341000
4	pin	97546000
5	hexagon socket screw M4x10	97661000
6	guide	98918000