

Brand AXOR  
 Art. Name **AXOR Montreux** 2-Handle Faucet 210 with Pop Up Drain, 1.2 GPM  
 Art. Nr. 16502831  
 Surface Polished Nickel  
 Pos. 1

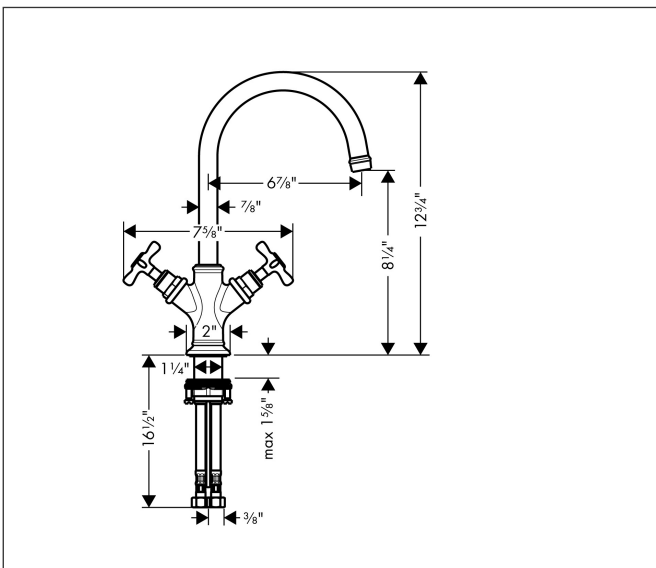
## Product Picture



## Features

- Consists of: Pop Up Drain
- handle design: cross handle
- swivel range 150°
- Spray pattern: Laminar spray
- Maximum flow rate: 1.2 GPM
- 90-degree ceramic valves
- Pop-Up Drain

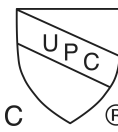
## Drawing



## Technology

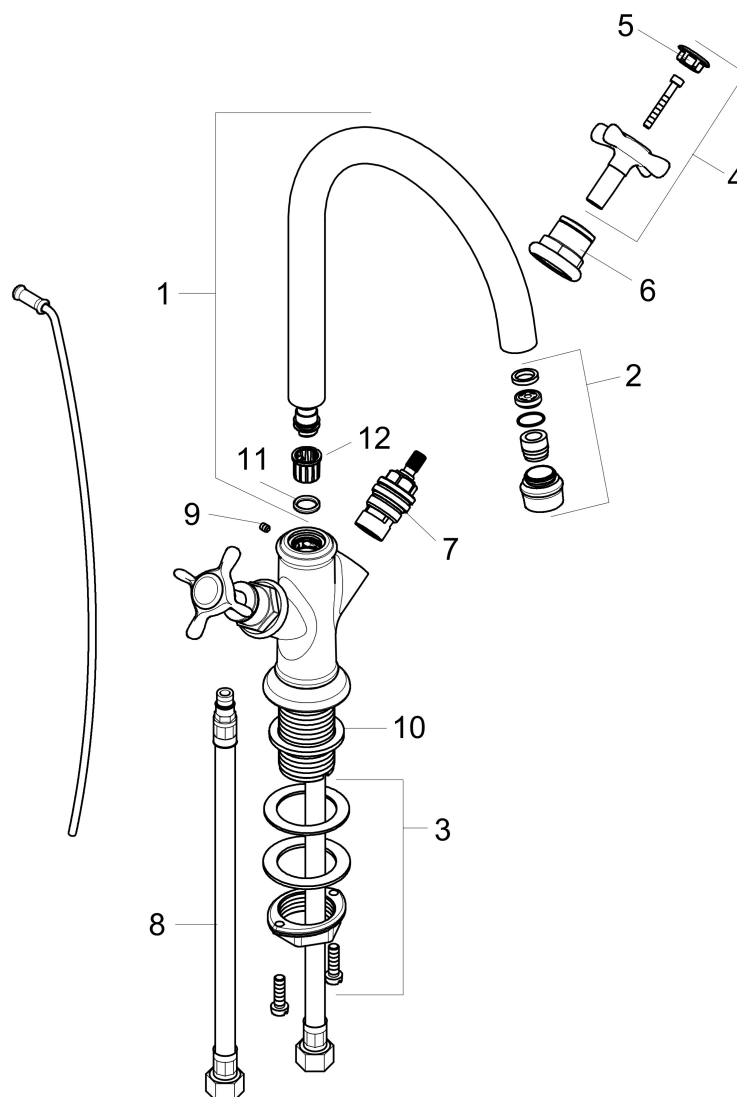


## Certificates/approvals



Brand AXOR  
Art. Name **AXOR Montreux** 2-Handle Faucet 210 with Pop Up Drain, 1.2 GPM  
Art. Nr. 16502831  
Surface Polished Nickel  
Pos. 1

## Spare Parts Drawings for build year: >07/16



Brand AXOR  
 Art. Name **AXOR Montreux** 2-Handle Faucet 210 with Pop Up Drain, 1.2 GPM  
 Art. Nr. 16502831  
 Surface Polished Nickel  
 Pos. 1

## Spare parts list for build year: >07/16

Pos.	Description	Article number
1	spout cpl.	97990830
2	aerator M18x1 (4,5 l/min)	93062830
3	fixing set (Ø 32)	13961000
4	handle	16291830
5	set of screw covers, cold / hot water / neutral	97987000
6	sleeve	97993830
7	shut off unit right closing	94009000
8	connection hose 18½" M8x0,75 3/8"	96321001
9	hollow set screw M4x5	98731000
10	flat seal	98749000
11	O-ring 11x2	98127000
12	lever collar	92849000
a	lever collar	97548000
b	fixation extension 35 mm	13898000
c	pop up waste	88509830