

Brand AXOR  
Art. Name **AXOR Montreux** Pressure Balance Trim  
Art. Nr. 16508821  
Surface Brushed Nickel  
Pos. 1

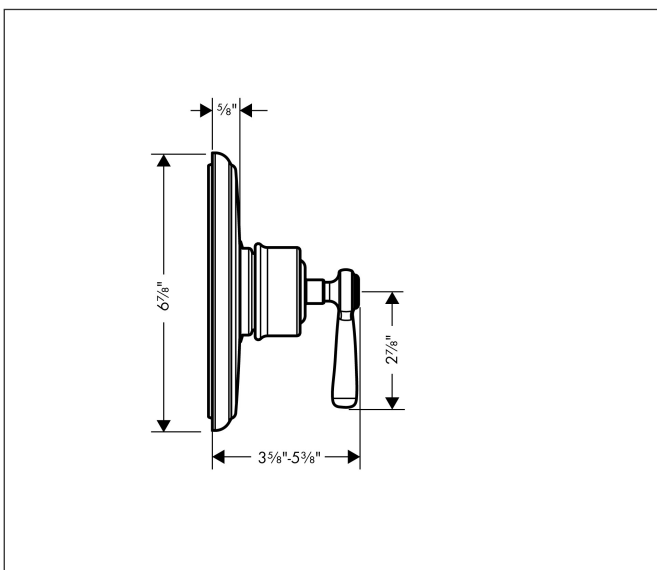
## Product Picture



## Features

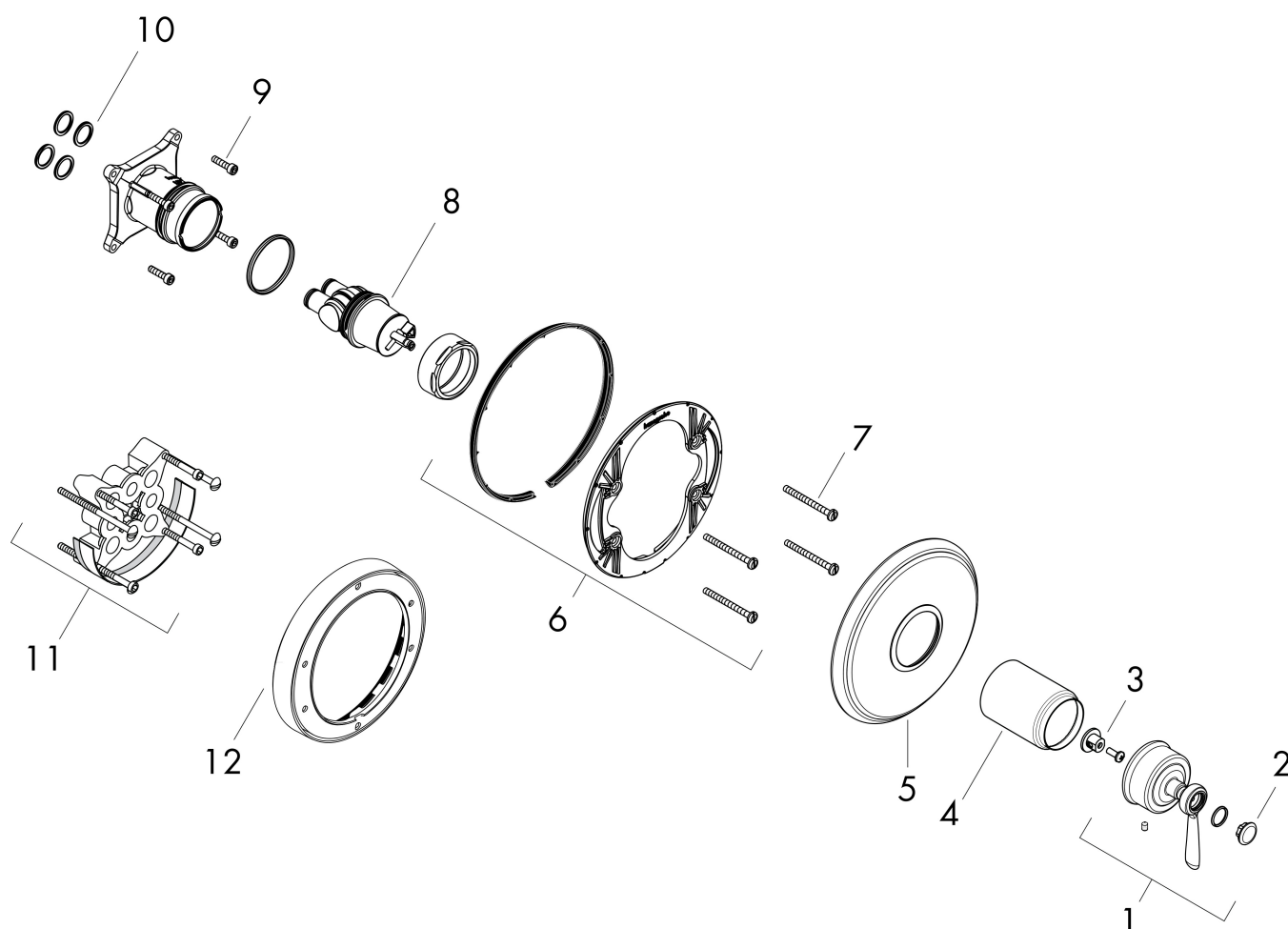
- Temperature and volume control for 1 outlet
- Maximum flow rate (at 3 bar): 20.6 l/min
- Bypass for use with diverter-type tub spouts
- Connection type: base set

## Drawing



Brand AXOR  
Art. Name **AXOR Montreux** Pressure Balance Trim  
Art. Nr. 16508821  
Surface Brushed Nickel  
Pos. 1

## Spare Parts Drawings for build year: >05/09



Brand AXOR  
 Art. Name **AXOR Montreux** Pressure Balance Trim  
 Art. Nr. 16508821  
 Surface Brushed Nickel  
 Pos. 1

## Spare parts list for build year: >05/09

Pos.	Description	Article number
1	handle	88776820
2	set of screw covers, cold / hot water / neutral	97987000
3	adapter for handle	92756000
4	sleeve	88765820
5	sub plate	96447000
6	set of fixing screws	96454000
7	cartridge, assy	88727000
8	set of screws	96525000
9	O-ring 16x2	98133000
10	extension 22 mm (Ø 170 mm)	13596820
11	extension 25 mm	13595000
12	escutcheon	88777820
a	base body	01850181