

Brand AXOR  
Art. Name **AXOR Montreux** Single-Hole Faucet 100 with Pop-Up Drain, 1.2 GPM  
Art. Nr. 16515001  
Surface Chrome  
Pos. 1

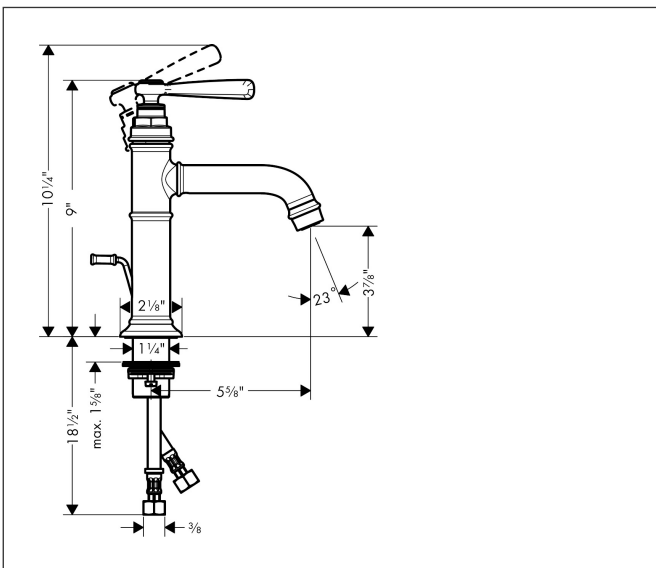
## Product Picture



## Features

- Handle design: lever handle
- Spray pattern: Aerated spray
- Maximum flow rate (at 3 bar): 4.5 l/min
- Ceramic cartridge
- Pop-up drain G 1

## Drawing

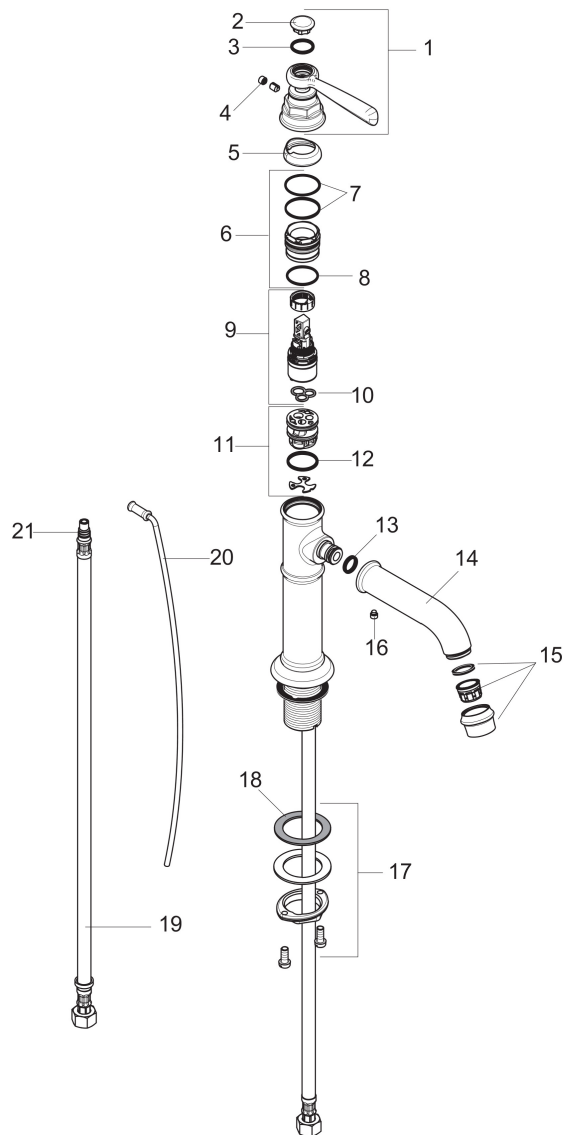


## Technology



Brand AXOR  
Art. Name **AXOR Montreux** Single-Hole Faucet 100 with Pop-Up Drain, 1.2 GPM  
Art. Nr. 16515001  
Surface Chrome  
Pos. 1

## Spare Parts Drawings for build year: >01/18



Brand AXOR  
 Art. Name **AXOR Montreux** Single-Hole Faucet 100 with Pop-Up Drain, 1.2 GPM  
 Art. Nr. 16515001  
 Surface Chrome  
 Pos. 1

## Spare parts list for build year: >01/18

Pos.	Description	Article number
1	handle	92973000
2	cover cap	92974000
3	O-ring 16x2	98133000
4	screw cover	96338000
5	flange	92625000
6	nut	92689000
7	O-ring 27x1,5	92527000
8	O-ring 25x1,5	98146000
9	cartridge, assy	95973001
10	seal	98865000
11	adapter for cartridge	98866000
12	O-ring 23x2	98398000
13	O-ring 11x2,5	98487000
14	spout cpl.	92978000
15	aerator M24x1 (4,5 l/min)	93254000
16	hollow set screw M6x5	98447000
17	fixing set (Ø 34)	95049000
18	lever collar	97548000
19	connection hose 23½" M8x0,75 3/8"	98600001
20	pull rod	98730000
21	O-ring 7x1,5	98422000