

Brand AXOR
Art. Name **AXOR Montreux** Single-Hole Faucet 100, 1.2 GPM, without Pop-up Drain
Art. Nr. 16516251
Surface Brushed Gold Optic
Pos. 1

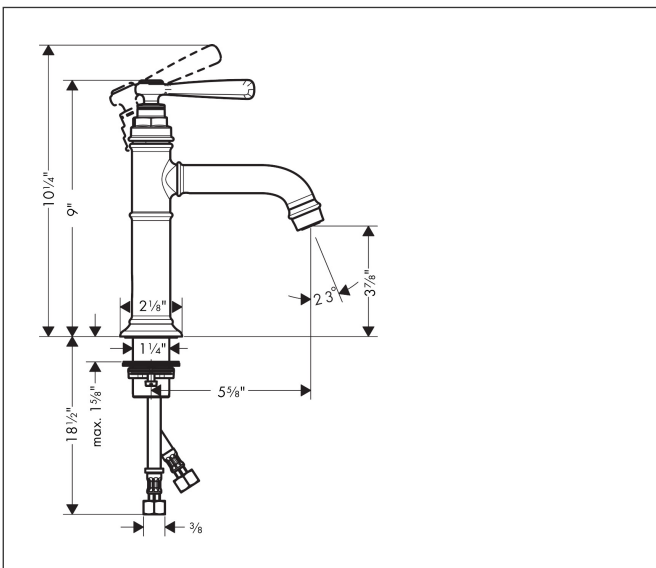
Product Picture



Features

- Handle design: lever handle
- Spray pattern: Aerated spray
- Maximum flow rate (at 3 bar): 4.5 l/min
- Ceramic cartridge

Drawing

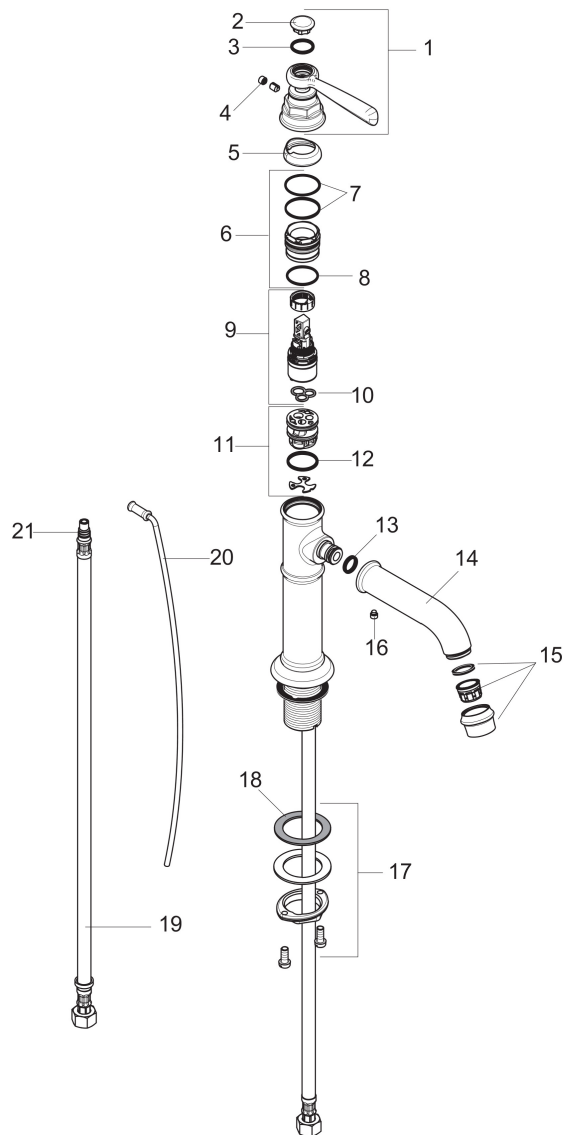


Technology



Brand AXOR
Art. Name **AXOR Montreux** Single-Hole Faucet 100, 1.2 GPM, without Pop-up Drain
Art. Nr. 16516251
Surface Brushed Gold Optic
Pos. 1

Spare Parts Drawings for build year: >11/18



Brand AXOR
 Art. Name **AXOR Montreux** Single-Hole Faucet 100, 1.2 GPM, without Pop-up Drain
 Art. Nr. 16516251
 Surface Brushed Gold Optic
 Pos. 1

Spare parts list for build year: >11/18

| Pos. | Description | Article number |
|------|-----------------------------------|----------------|
| 1 | handle | 92973250 |
| 2 | cover cap | 92974000 |
| 3 | O-ring 16x2 | 98133000 |
| 4 | screw cover | 96338000 |
| 5 | flange | 92625250 |
| 6 | nut | 92689000 |
| 7 | O-ring 27x1,5 | 92527000 |
| 8 | O-ring 25x1,5 | 98146000 |
| 9 | cartridge, assy | 95973001 |
| 10 | seal | 98865000 |
| 11 | adapter for cartridge | 98866000 |
| 12 | O-ring 23x2 | 98398000 |
| 13 | O-ring 11x2,5 | 98487000 |
| 14 | spout cpl. | 92978250 |
| 15 | aerator M24x1 (4,5 l/min) | 93254000 |
| 16 | hollow set screw M6x5 | 98447000 |
| 17 | fixing set (Ø 34) | 95049000 |
| 18 | lever collar | 97548000 |
| 19 | connection hose 23½" M8x0,75 3/8" | 98600001 |
| 20 | O-ring 7x1,5 | 98422000 |