

Brand	AXOR
Art. Name	<b>AXOR Montreux</b> Single-Hole Faucet 210, 1.2 GPM, without Pop-up Drain
Art. Nr.	16518001
Surface	Chrome
Pos.	1

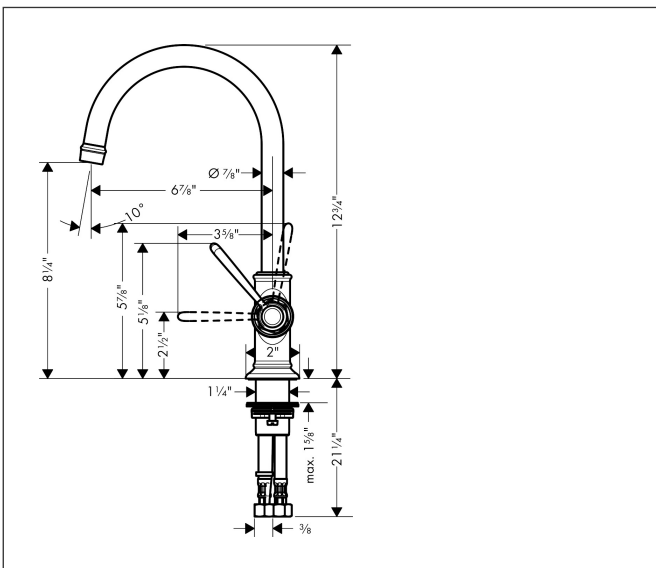
## Product Picture



## Features

- Handle design: lever handle
- Swivel range 120°
- Spray pattern: Aerated spray
- Maximum flow rate (at 3 bar): 4.5 l/min
- Ceramic cartridge

## Drawing

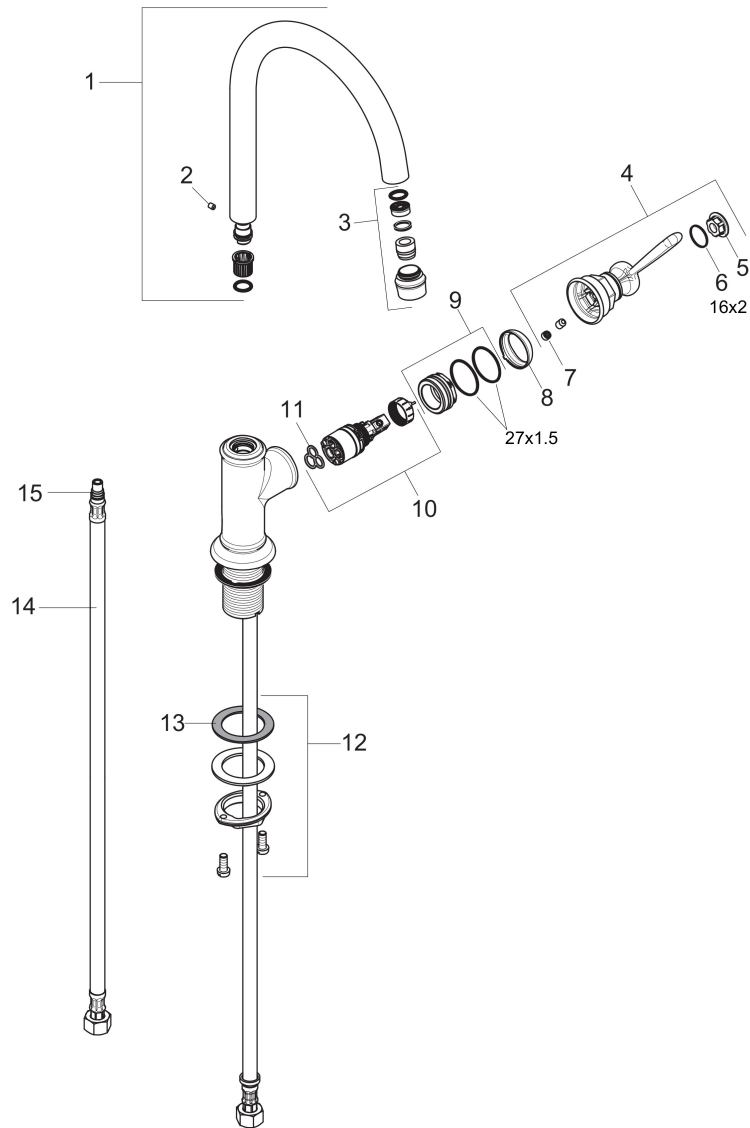


## Technology



Brand AXOR  
Art. Name **AXOR Montreux** Single-Hole Faucet 210, 1.2 GPM, without Pop-up Drain  
Art. Nr. 16518001  
Surface Chrome  
Pos. 1

## Spare Parts Drawings for build year: >01/18



Brand AXOR  
 Art. Name **AXOR Montreux** Single-Hole Faucet 210, 1.2 GPM, without Pop-up Drain  
 Art. Nr. 16518001  
 Surface Chrome  
 Pos. 1

## Spare parts list for build year: >01/18

Pos.	Description	Article number
1	spout cpl.	97990000
2	hollow set screw M4x5	98731000
3	aerator M18x1 (4,5 l/min)	93062000
4	handle	92973000
5	cover cap	92974000
6	O-ring 16x2	98133000
7	screw cover	96338000
8	flange	92625000
9	nut	92627000
10	cartridge, assy	95973001
11	seal	98865000
12	fixing set (Ø 32)	13961000
13	lever collar	97548000
14	connection hose 23½" M8x0,75 3/8"	98600001
15	O-ring 7x1,5	98422000
a	O-ring 27x1,5	92527000