

Brand	AXOR
Art. Name	AXOR Montreux Wall-Mounted Widespread Faucet Trim with Cross Handles, 1.2 GPM, without Pop-up Drain
Art. Nr.	16532001
Surface	Chrome
Pos.	1

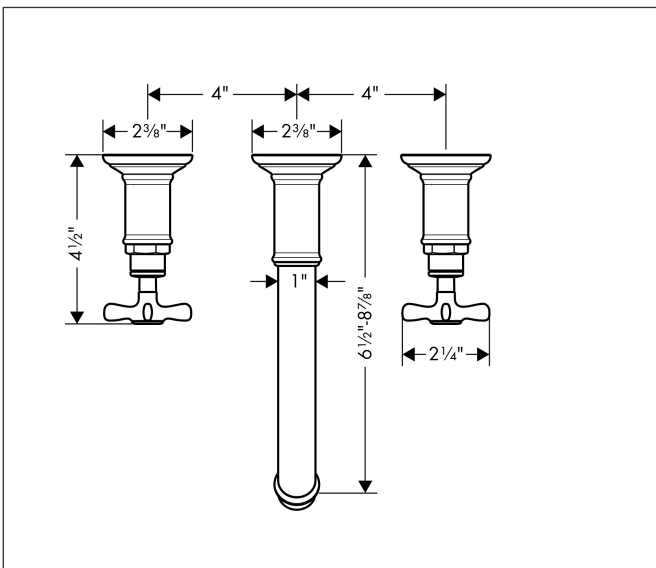
Product Picture



Features

- Handle design: cross handle
- Spray pattern: Aerated spray
- Maximum flow rate (at 3 bar): 4.5 l/min
- Ceramic valves hot/cold 90°

Drawing

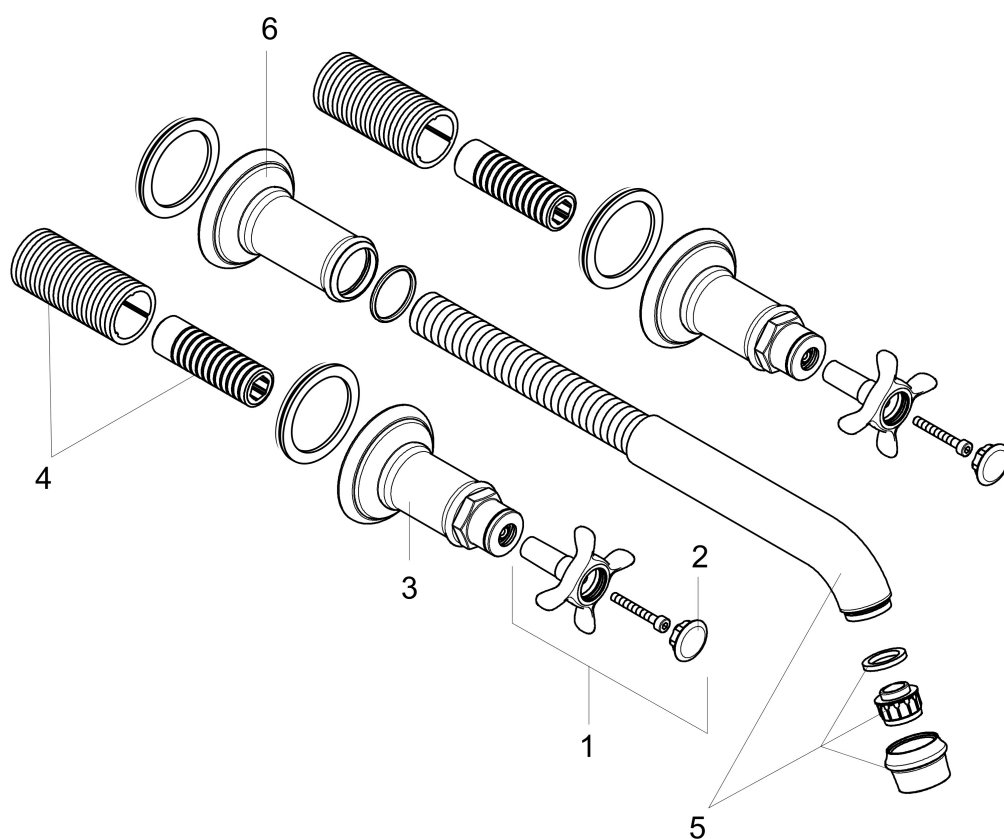


Technology



Brand	AXOR
Art. Name	AXOR Montreux Wall-Mounted Widespread Faucet Trim with Cross Handles, 1.2 GPM, without Pop-up Drain
Art. Nr.	16532001
Surface	Chrome
Pos.	1

Spare Parts Drawings for build year: >07/16



Brand AXOR
 Art. Name **AXOR Montreux** Wall-Mounted Widespread Faucet Trim with Cross Handles, 1.2 GPM, without Pop-up Drain
 Art. Nr. 16532001
 Surface Chrome
 Pos. 1

Spare parts list for build year: >07/16

Pos.	Description	Article number
1	handle	16291000
2	set of screw covers, cold / hot water / neutral	97987000
3	escutcheon for handle	98578000
4	fixing set	96392000
5	spout cpl.	98574000
6	escutcheon for spout	98576000
a	base body	10303181
b	mounting-set V+B	96142000