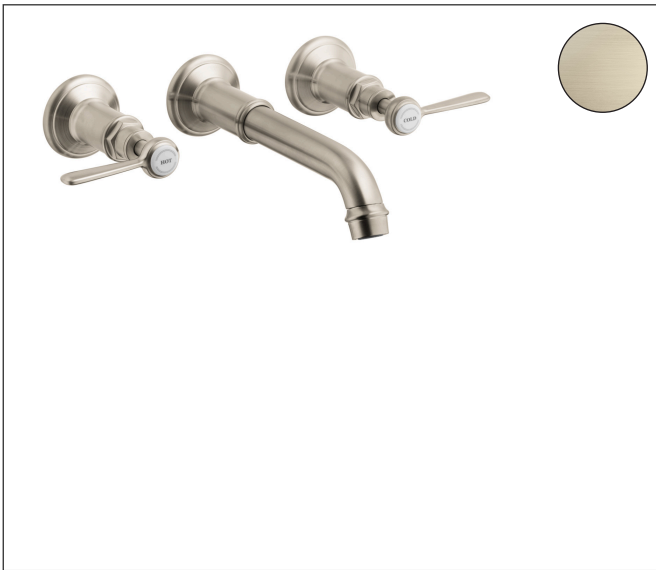


|           |  |
|-----------|--|
| Brand     | AXOR   |
| Art. Name | <b>AXOR Montreux</b> Wall-Mounted Widespread Faucet Trim with Lever Handles, 1.2 GPM, without Pop-up Drain |
| Art. Nr.  | 16534821   |
| Surface   | Brushed Nickel   |
| Pos.      | 1  |

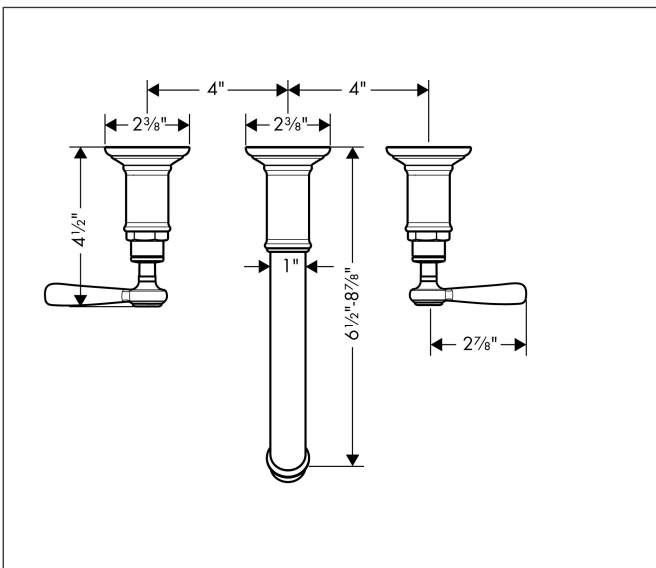
## Product Picture



## Features

- Handle design: lever handle
- Spray pattern: Aerated spray
- Maximum flow rate (at 3 bar): 4.5 l/min
- Ceramic valves hot/cold 90°

## Drawing



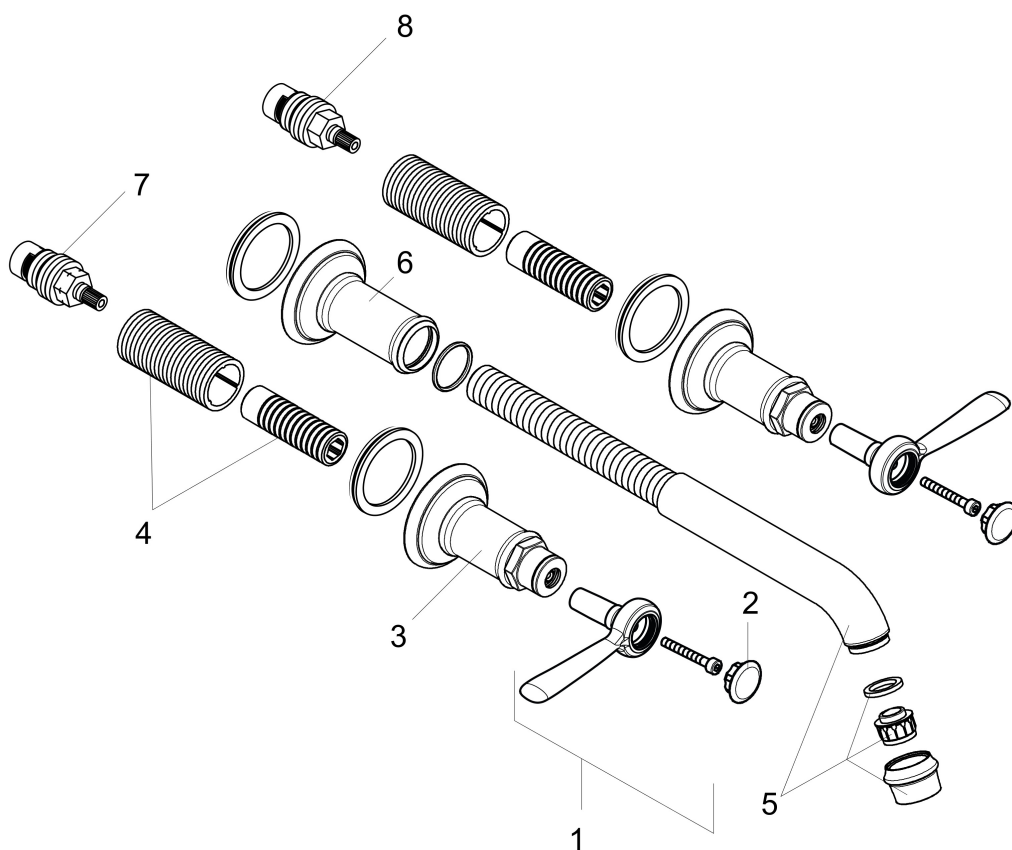
## Technology



Brand AXOR  
Art. Name **AXOR Montreux** Wall-Mounted Widespread Faucet Trim with Lever Handles, 1.2 GPM, without Pop-up Drain  
Art. Nr. 16534821  
Surface Brushed Nickel  
Pos. 1

---

## Spare Parts Drawings for build year: >07/16



Brand AXOR  
 Art. Name **AXOR Montreux** Wall-Mounted Widespread Faucet Trim with Lever Handles, 1.2 GPM, without Pop-up Drain  
 Art. Nr. 16534821  
 Surface Brushed Nickel  
 Pos. 1

## Spare parts list for build year: >07/16

| Pos. | Description                                     | Article number |
|------|---|----------------|
| 1    | handle  | 16691820       |
| 2    | set of screw covers, cold / hot water / neutral | 97987000       |
| 3    | escutcheon for handle                           | 98578000       |
| 4    | fixing set                                      | 96392000       |
| 5    | spout cpl.                                      | 98574820       |
| 6    | escutcheon for spout                            | 98576820       |
| 7    | shut off unit right closing                     | 96350001       |
| 8    | shut off unit left closing                      | 96351001       |
| a    | base body                                       | 10303181       |