

|           |  |
|-----------|--|
| Brand     | AXOR   |
| Art. Name | <b>AXOR Montreux</b> Widespread Faucet 30 with Lever Handles and Pop-Up Drain, 1.2 GPM |
| Art. Nr.  | 16535001   |
| Surface   | Chrome   |
| Pos.      | 1  |

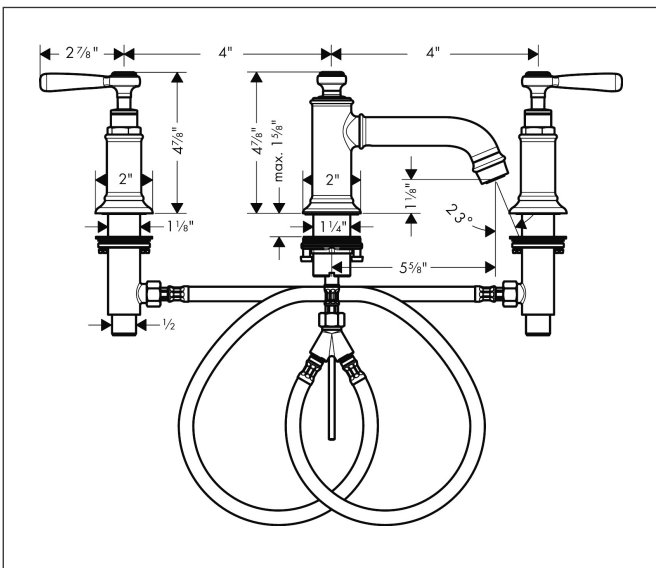
## Product Picture



## Features

- Handle design: lever handle
- Spray pattern: Laminar spray
- Maximum flow rate (at 3 bar): 4.5 l/min
- Ceramic valves hot/cold 90°
- Pop-up drain G 1

## Drawing

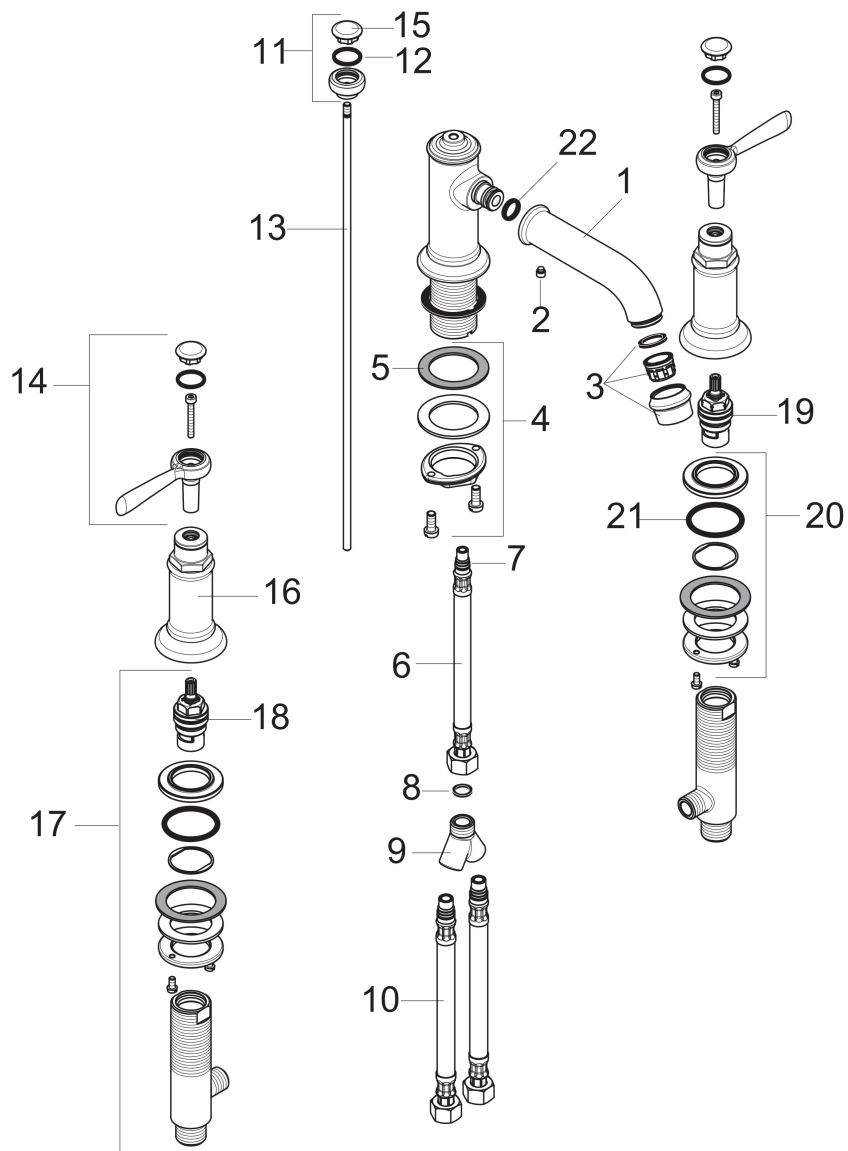


## Technology



Brand AXOR  
Art. Name **AXOR Montreux** Widespread Faucet 30 with Lever Handles and Pop-Up Drain,  
1.2 GPM  
Art. Nr. 16535001  
Surface Chrome  
Pos. 1

## Spare Parts Drawings for build year: >01/18



Brand AXOR  
 Art. Name **AXOR Montreux** Widespread Faucet 30 with Lever Handles and Pop-Up Drain,  
 1.2 GPM  
 Art. Nr. 16535001  
 Surface Chrome  
 Pos. 1

## Spare parts list for build year: >01/18

| Pos. | Description                                     | Article number |
|------|---|----------------|
| 1    | spout cpl.                                      | 92978000       |
| 2    | hollow set screw M6x5                           | 98447000       |
| 3    | aerator M24x1 (4,5 l/min)                       | 93254000       |
| 4    | fixing set (Ø 34)                               | 95049000       |
| 5    | lever collar                                    | 97548000       |
| 6    | connection hose 450 mm M8x0,75 G3/8             | 97206000       |
| 7    | O-ring 7x1,5                                    | 98422000       |
| 8    | sealing set                                     | 95581000       |
| 9    | hose connection angel                           | 97753000       |
| 10   | connection hose 17½" M10x1 3/8"                 | 94071001       |
| 11   | diverter knob                                   | 98619000       |
| 12   | O-ring 16x2                                     | 98133000       |
| 13   | pull rod  | 94067000       |
| 14   | handle  | 16691000       |
| 15   | set of screw covers, cold / hot water / neutral | 97987000       |
| 16   | escutcheon for handle                           | 97988000       |
| 17   | valve   | 88503000       |
| 18   | shut off unit right closing                     | 94009000       |
| 19   | shut off unit left closing                      | 94008000       |
| 20   | fixing set for shut off unit                    | 88511000       |
| 21   | O-ring 34x3                                     | 98069000       |
| 22   | O-ring 11x2,5                                   | 98487000       |
| a    | pop up waste                                    | 88509000       |