

Brand AXOR  
Art. Name **AXOR Montreux** Rough, 2-Handle Freestanding Tub Filler  
Art. Nr. 16549181  
Pos. 1

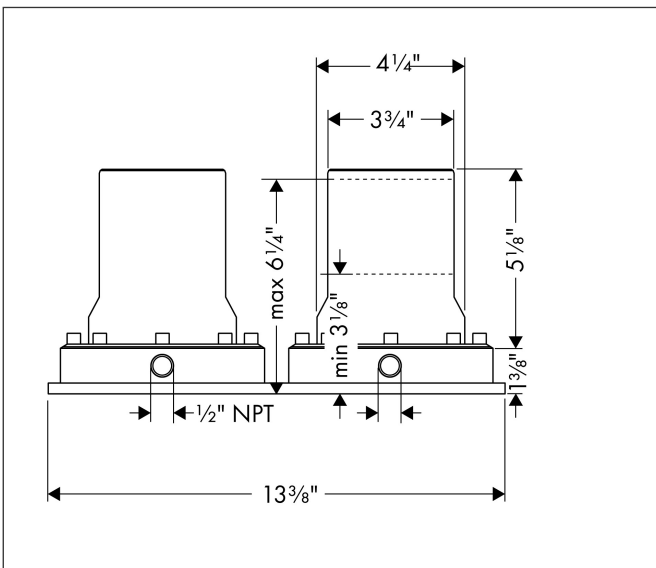
## Product Picture



## Features

- Connection thread: 1/2" NPT

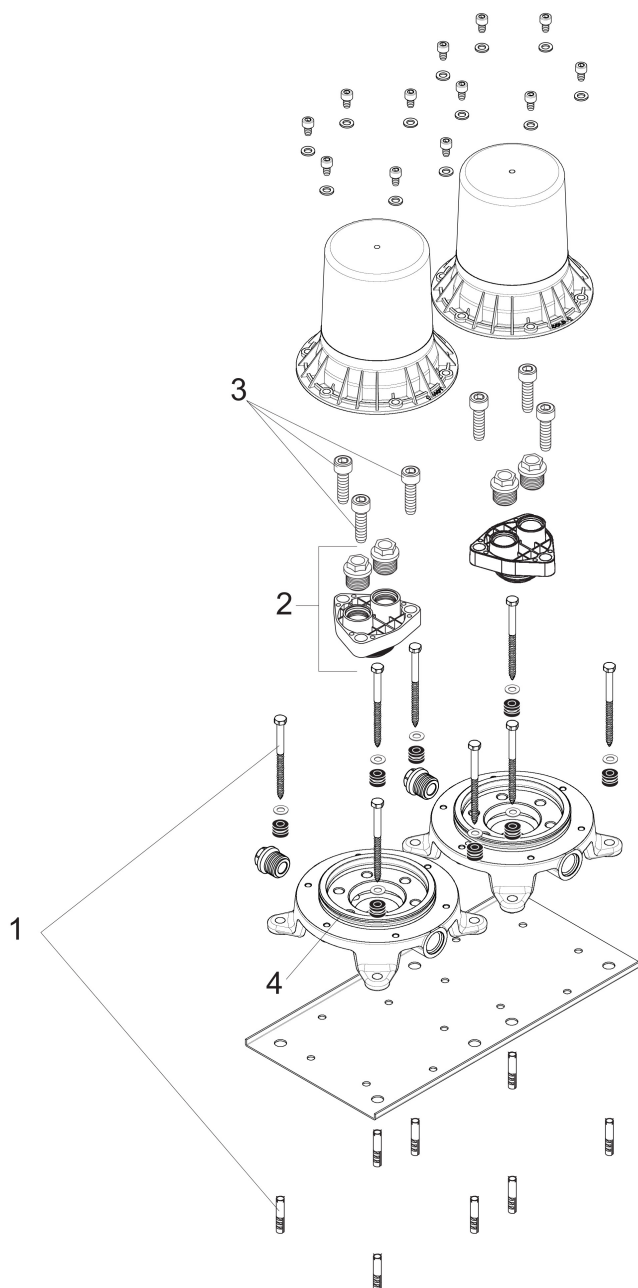
## Drawing



Brand AXOR  
Art. Name **AXOR Montreux** Rough, 2-Handle Freestanding Tub Filler  
Art. Nr. 16549181  
Pos. 1

---

## Spare Parts Drawings for build year: >06/06



Brand AXOR  
Art. Name **AXOR Montreux** Rough, 2-Handle Freestanding Tub Filler  
Art. Nr. 16549181  
Pos. 1

---

## Spare parts list for build year: >06/06

Pos.	Description	Article number
1	mounting kit	96260000
2	flushing unit complete	96459000
3	hexagon socket screw M10x35	97670000
4	O-ring 99x3,5	92154000
a	hexagon socket screw M6x10	92847000