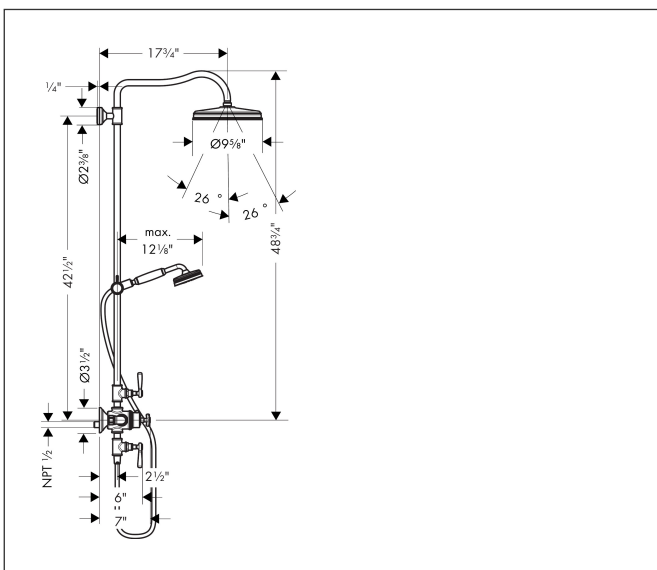


Brand AXOR
 Art. Name **AXOR Montreux** Showerpipe 240 1-Jet, 1.8 GPM
 Art. Nr. 16574251
 Surface Brushed Gold Optic
 Pos. 1

Product Picture



Drawing



Features

- Consists of: overhead shower, Handshower, shower thermostat, shower hose, Slider, shower bar
- Spray type overhead shower: Rain
- Spray type handshower: RainAir
- Flow rate of handshower (at 3 bar): 6.8 l/min
- Maximum flow rate for Shower pipe at 3 bar: 6.8 l/min
- Shower bar diameter: 22 mm
- Height-adjustable handshower holder
- Safety stop at 38 °C
- Integrated volume controls
- Will not run two outlets at same time
- Exposed installation
- Thermostat cartridge
- Intrinsically safe against backflow
- Pipe length: 1060 mm
- Designed to run 2 outlets

Technology



Spray Types

