

Brand AXOR
 Art. Name **AXOR Montreux** Bar Faucet, 1.5 GPM
 Art. Nr. 16583801
 Surface Stainless Steel Optic
 Pos. 1

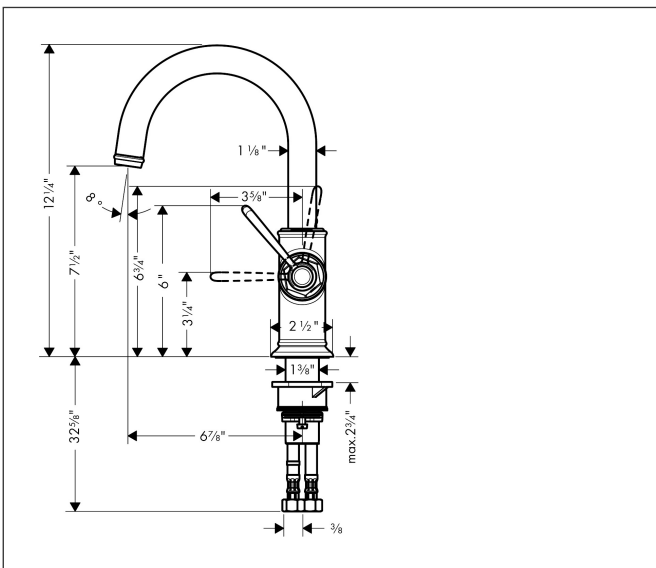
Product Picture



Features

- Swivel range 150°
- Aerated spray
- Deck-mounted
- Maximum flow rate (at 3 bar): 5.7 l/min
- Ceramic cartridge
- G 3/8 hose connections

Drawing



Technology

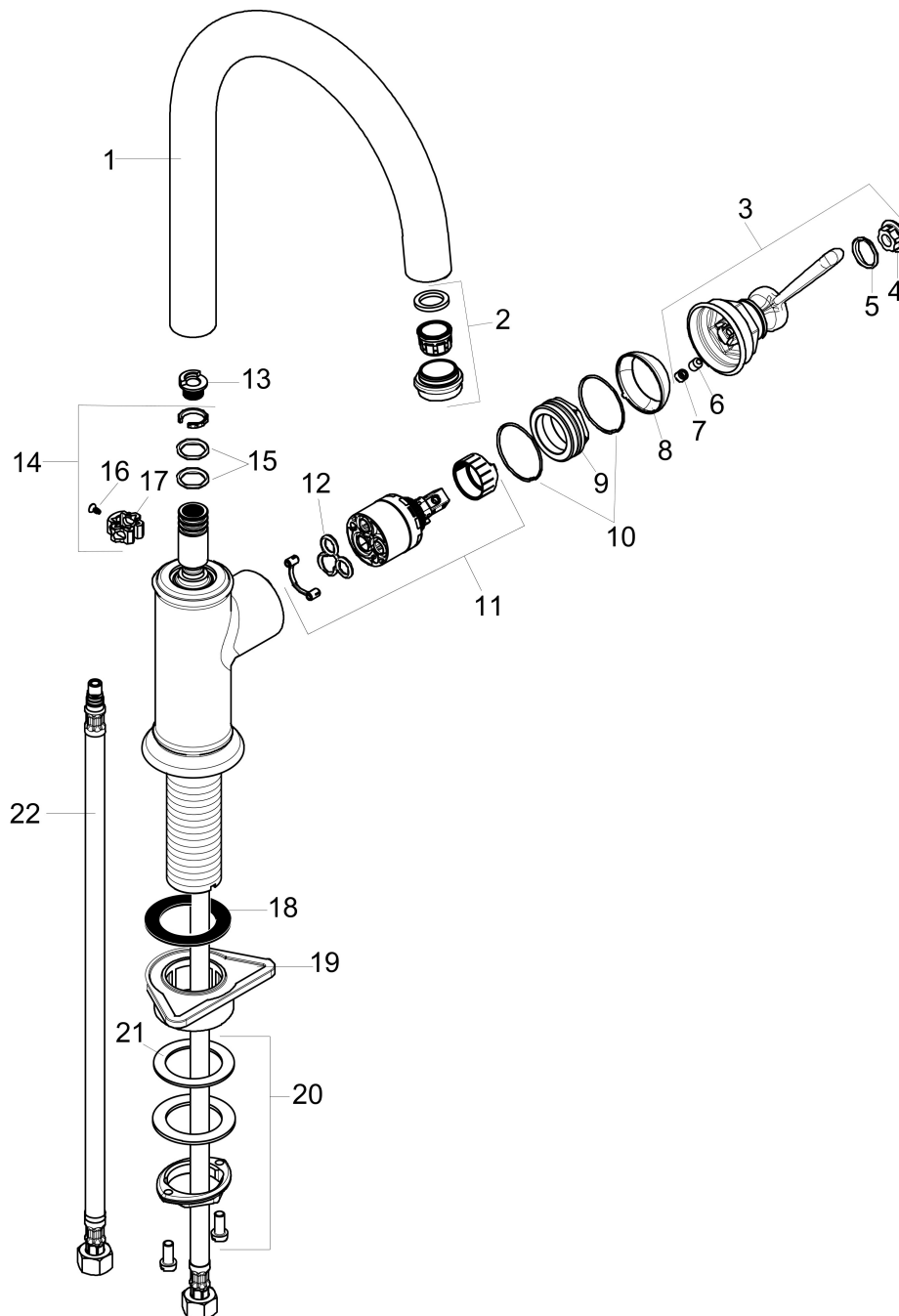


Spray Types



Brand AXOR
Art. Name **AXOR Montreux** Bar Faucet, 1.5 GPM
Art. Nr. 16583801
Surface Stainless Steel Optic
Pos. 1

Spare Parts Drawings for build year: >01/18



Brand AXOR
 Art. Name **AXOR Montreux** Bar Faucet, 1.5 GPM
 Art. Nr. 16583801
 Surface Stainless Steel Optic
 Pos. 1

Spare parts list for build year: >01/18

| Pos. | Description | Article number |
|------|-------------------------------------|----------------|
| 1 | spout cpl. | 93147800 |
| 2 | aerator M24x1 (5 l/min) | 93008800 |
| 3 | handle | 92963800 |
| 4 | cover cap | 92964000 |
| 5 | O-ring 16x2 | 98133000 |
| 6 | hollow set screw M6x8 | 98444000 |
| 7 | screw cover | 96762000 |
| 8 | flange | 92965000 |
| 9 | nut | 92966000 |
| 10 | O-ring 33x1,5 | 98164000 |
| 11 | cartridge, assy | 92730000 |
| 12 | seal | 95008000 |
| 13 | set of locating rings (110° / 150°) | 98486000 |
| 14 | sealing set | 92646000 |
| 15 | O-Ring 14x2,5 | 98189000 |
| 16 | screw | 97662000 |
| 17 | axialring | 97558000 |
| 18 | seal | 92582000 |
| 19 | support | 97523000 |
| 20 | fixing set (Ø 34) | 95049000 |
| 21 | lever collar | 97548000 |
| 22 | connection hose 35½" M8x0,75 3/8" | 96316001 |