

Brand AXOR
 Art. Name **AXOR Montreux** Bar Faucet, 1.5 GPM
 Art. Nr. 16583831
 Surface polished nickel
 Pos. 1

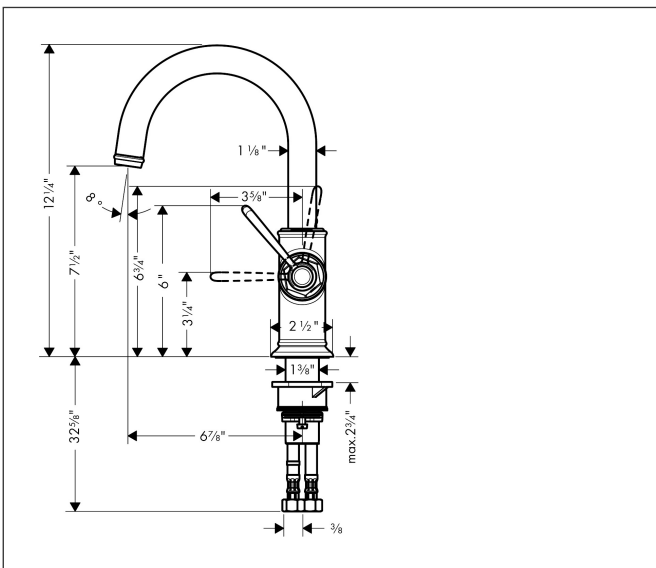
Product Picture



Features

- Swivel range 150°
- Aerated spray
- Deck-mounted
- Maximum flow rate (at 3 bar): 5.7 l/min
- Ceramic cartridge
- G 3/8 hose connections

Drawing



Technology

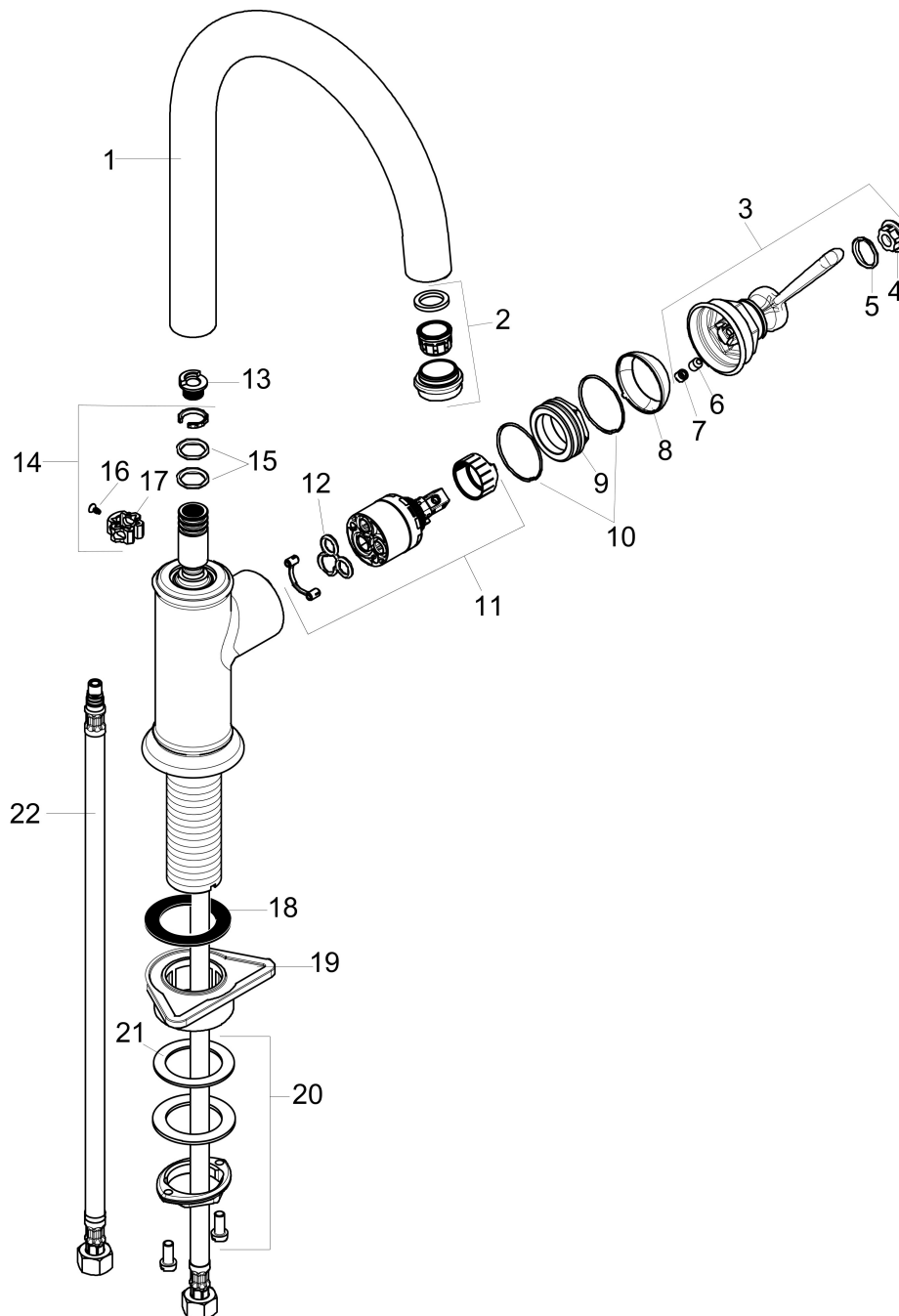


Spray Types



Brand AXOR
Art. Name **AXOR Montreux** Bar Faucet, 1.5 GPM
Art. Nr. 16583831
Surface polished nickel
Pos. 1

Spare Parts Drawings for build year: >01/18



Brand AXOR
 Art. Name **AXOR Montreux** Bar Faucet, 1.5 GPM
 Art. Nr. 16583831
 Surface polished nickel
 Pos. 1

Spare parts list for build year: >01/18

Pos.	Description	Article number
1	spout cpl.	93147830
2	aerator M24x1 (5 l/min)	93008830
3	handle	92963830
4	cover cap	92964000
5	O-ring 16x2	98133000
6	hollow set screw M6x8	98444000
7	screw cover	96762000
8	flange	92965830
9	nut	92966000
10	O-ring 33x1,5	98164000
11	cartridge, assy	92730000
12	seal	95008000
13	set of locating rings (110° / 150°)	98486000
14	sealing set	92646000
15	O-Ring 14x2,5	98189000
16	screw	97662000
17	axialring	97558000
18	seal	92582000
19	support	97523000
20	fixing set (Ø 34)	95049000
21	lever collar	97548000
22	connection hose 35½" M8x0,75 3/8"	96316001