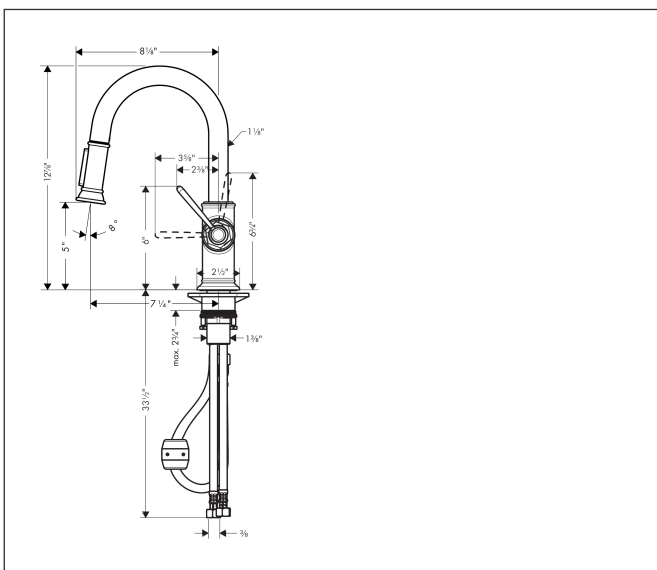


Brand AXOR
 Art. Name **AXOR Montreux** Prep Kitchen Faucet 2-Spray Pull-Down, 1.75 GPM
 Art. Nr. 16584831
 Surface polished nickel
 Pos. 1

Product Picture



Drawing



Features

- Swivel range adjustable in 2 steps to 110° or 150°
- Laminar spray, shower spray
- Lockable shower spray, spray return through pressing spray diverter
- MagFit magnetic shower holder
- Deck-mounted
- Maximum flow rate (at 3 bar): 6.6 l/min
- Ceramic cartridge
- G 3/8 hose connections
- Integrated non-return valve
- Single handle kitchen faucet, installation manual

Technology

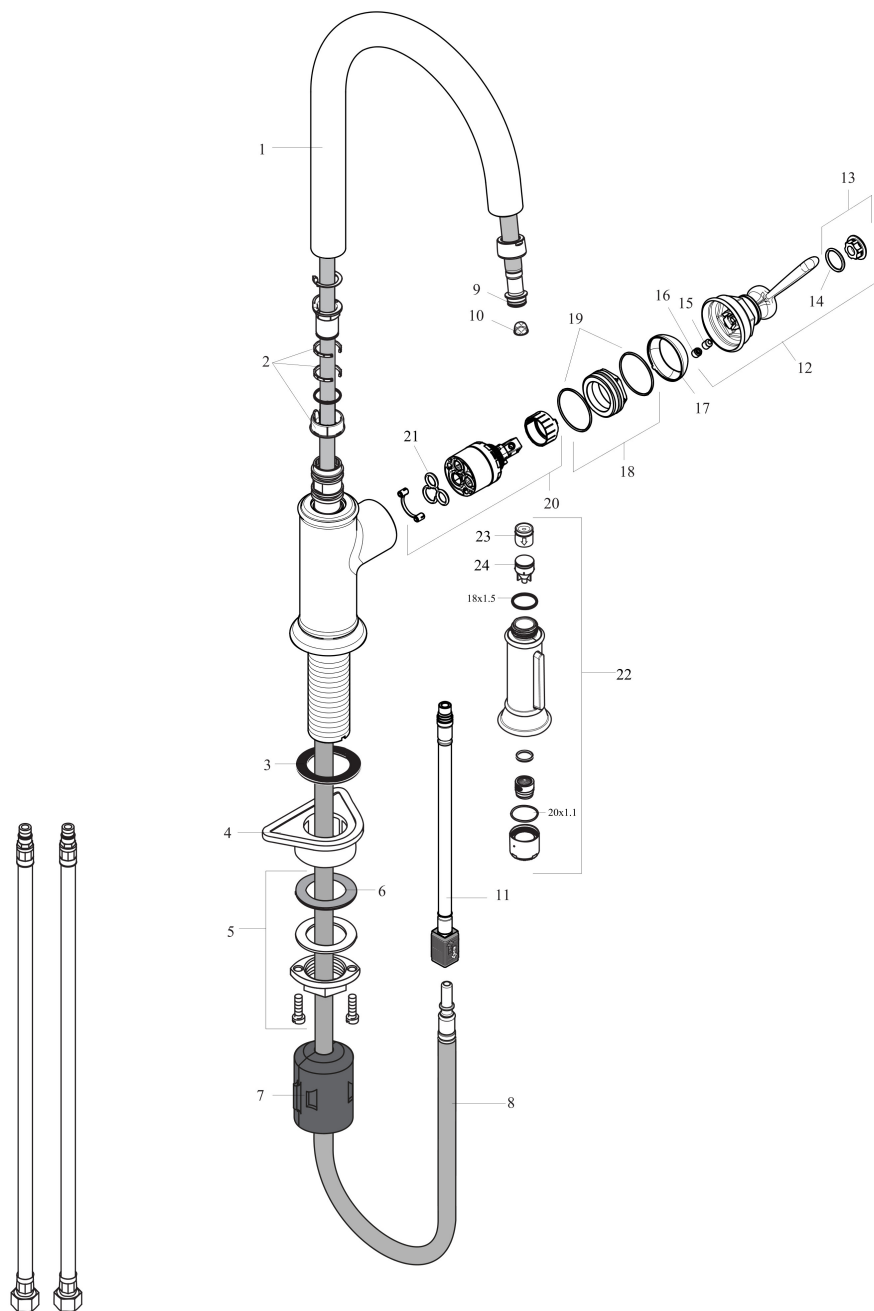


Spray Types



Brand AXOR
Art. Name **AXOR Montreux** Prep Kitchen Faucet 2-Spray Pull-Down, 1.75 GPM
Art. Nr. 16584831
Surface polished nickel
Pos. 1

Spare Parts Drawings for build year: >01/18



Brand AXOR
 Art. Name **AXOR Montreux** Prep Kitchen Faucet 2-Spray Pull-Down, 1.75 GPM
 Art. Nr. 16584831
 Surface polished nickel
 Pos. 1

Spare parts list for build year: >01/18

Pos.	Description	Article number
1	spout cpl.	93159830
2	set of lever collars	88814000
3	seal	92582000
4	support	97523000
5	fixing set (Ø 34)	95049000
6	lever collar	97548000
7	weight	92500000
8	hose 1,50 m	88624000
9	O-ring 11x2	98127000
10	filter	97735000
11	connection hose 600 mm M10x1	95561000
12	handle	92963830
13	cover cap	92964000
14	O-ring 16x2	98133000
15	hollow set screw M6x8	98444000
16	screw cover	96762000
17	flange	92965830
18	nut	92966000
19	O-ring 33x1,5	98164000
20	cartridge, assy	92730000
21	seal	95008000
22	handspray	92967831
23	non return valve	93218000
24	set of non return valves DW 15	97350000
a	connection hose 35½" M8x0,75 3/8"	96316001
b	O-ring 8x1,75	97827000
c	aerator laminar M22x1 (15 l/min)	95909000
d	O-ring 18x1,5	98231000
e	O-ring 20x1	98140000