

Brand	AXOR
Art. Name	AXOR Montreux Thermostatic Trim with Volume Control and Diverter
Art. Nr.	16821831
Surface	polished nickel
Pos.	1

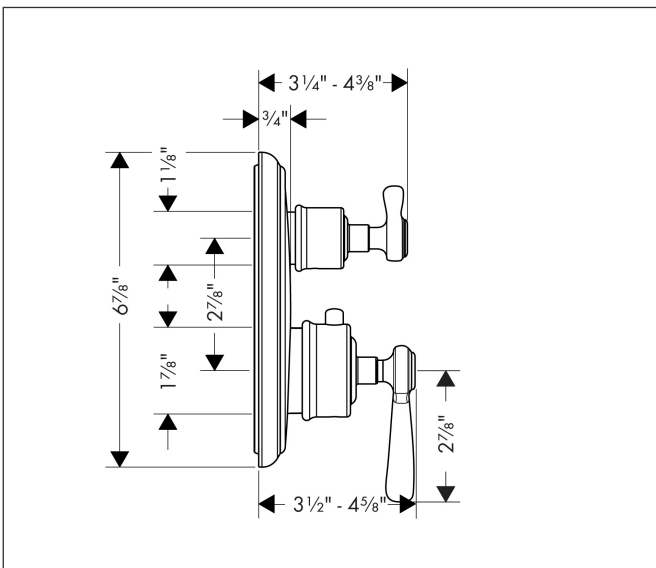
Product Picture



Features

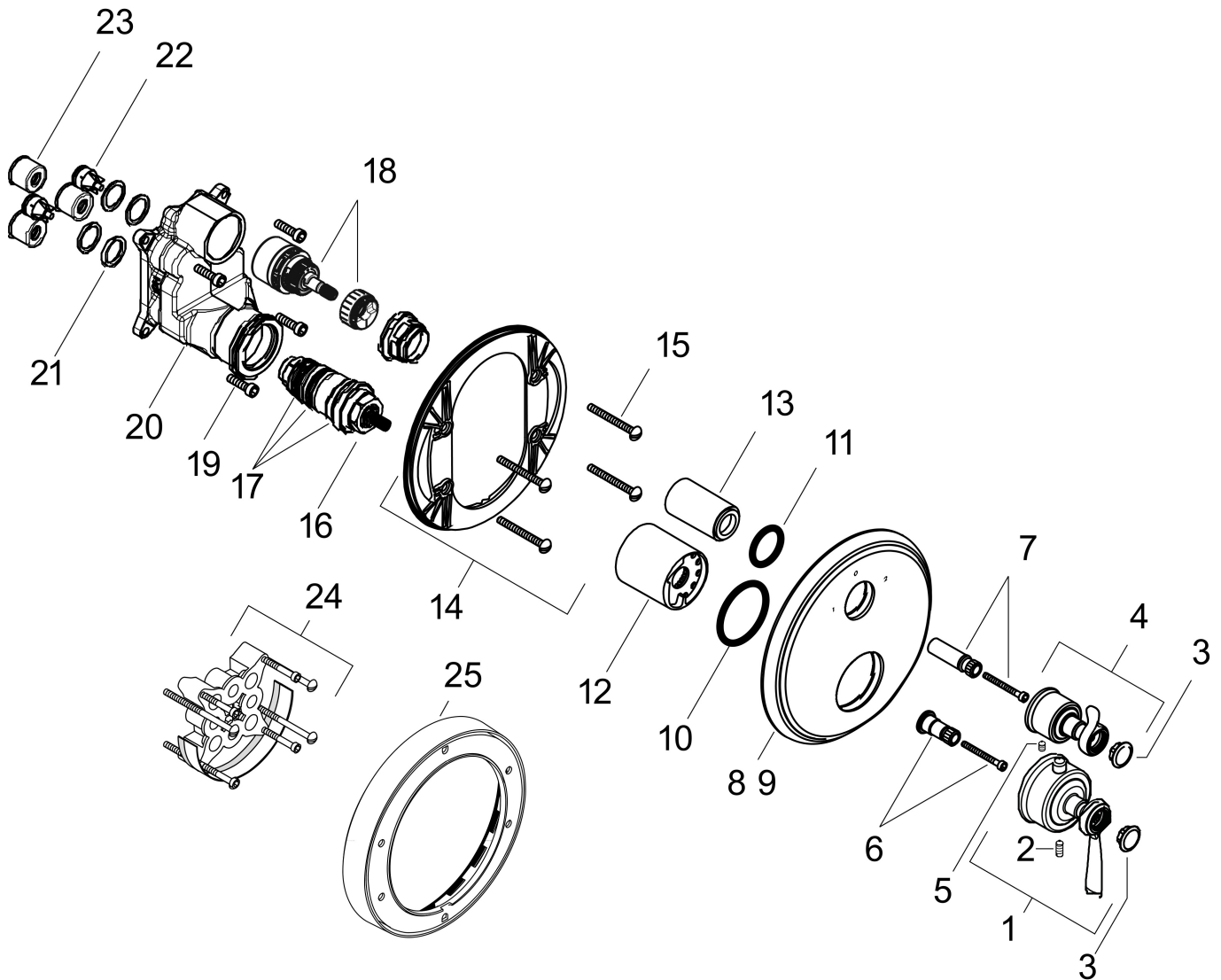
- Volume control and diverter for 2 functions
- Thermostat cartridge, shut-off / diverter valve
- Maximum flow rate (at 3 bar): 22.7 l/min
- Safety stop at 40°C

Drawing



Brand AXOR
Art. Name **AXOR Montreux** Thermostatic Trim with Volume Control and Diverter
Art. Nr. 16821831
Surface polished nickel
Pos. 1

Spare Parts Drawings for build year: >08/13



Brand AXOR
 Art. Name **AXOR Montreux** Thermostatic Trim with Volume Control and Diverter
 Art. Nr. 16821831
 Surface polished nickel
 Pos. 1

Spare parts list for build year: >08/13

Pos.	Description	Article number
1	handle for thermostat	16694831
2	hollow set screw M5x16	97666000
3	cover cap	95991000
4	hollow set screw M4x8	97669000
5	handle	98637830
6	adapter for handle	96435000
7	adapter for handle	96451000
8	escutcheon	98638830
9	escutcheon for exchanged connections	95829000
10	O-Ring 48x3	95508000
11	O-ring 29x3	98371000
12	sleeve	96446830
13	sleeve	96439830
14	sub plate	96447000
15	set of fixing screws	96454000
16	thermostat cartridge	94282000
17	sealing set	95037000
18	shut off unit with selector	98283000
19	set of screws	96525000
20	installation unit cpl.	92592000
21	O-ring 16x2	98133000
22	set of non return valves DW 15	97350000
23	noise reduction	94073000
24	extension 25 mm	13595000
25	extension 22 mm (Ø 170 mm)	13596830