

Brand AXOR
Art. Name **AXOR Montreux** Diverter Trim Trio/Quattro
Art. Nr. 16832821
Surface Brushed Nickel
Pos. 1

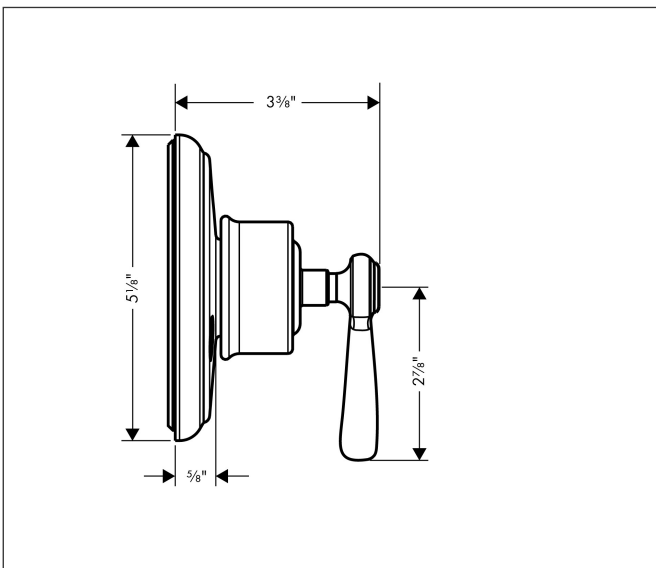
Product Picture



Features

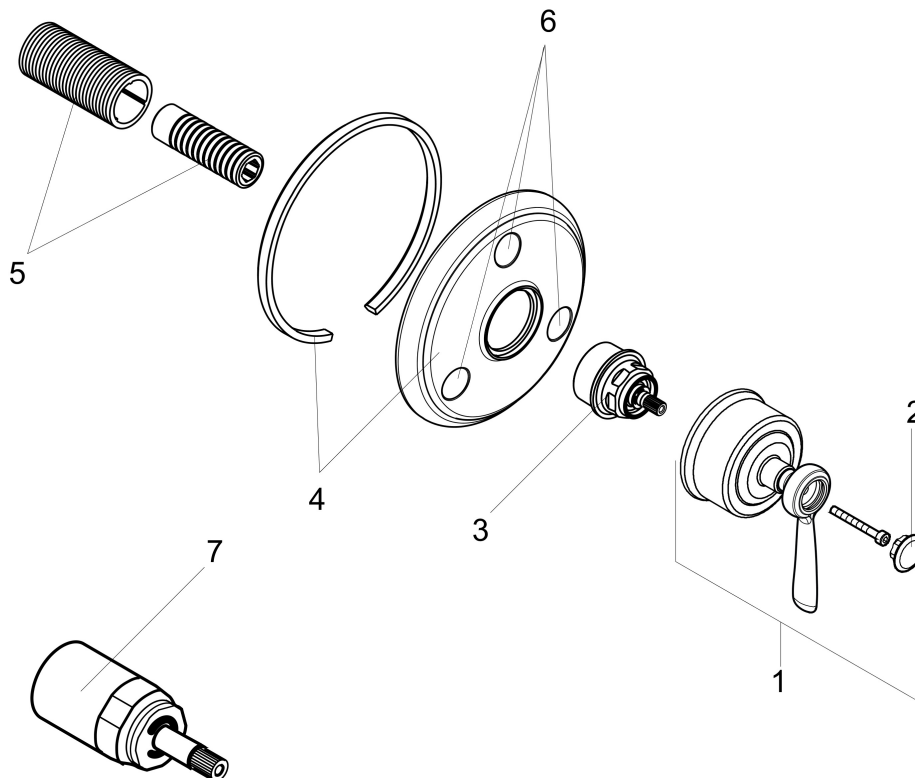
- Handle, sleeve, metal escutcheon

Drawing



Brand AXOR
Art. Name **AXOR Montreux** Diverter Trim Trio/Quattro
Art. Nr. 16832821
Surface Brushed Nickel
Pos. 1

Spare Parts Drawings for build year: >06/09



Brand AXOR
 Art. Name **AXOR Montreux** Diverter Trim Trio/Quattro
 Art. Nr. 16832821
 Surface Brushed Nickel
 Pos. 1

Spare parts list for build year: >06/09

Pos.	Description	Article number
1	handle	16693820
2	set of screw covers, cold / hot water / neutral	97987000
3	nut	98677000
4	escutcheon	98669820
5	fixing set	96392000
6	stickers for symbols	97218610
7	extension 25 mm	96370000
a	base body	15930181
b	base body	15936181
c	base body	15984181
d	base body	15981181