

Brand AXOR  
Art. Name **AXOR Montreux** Diverter Trim Trio/Quattro  
Art. Nr. 16832831  
Surface polished nickel  
Pos. 1

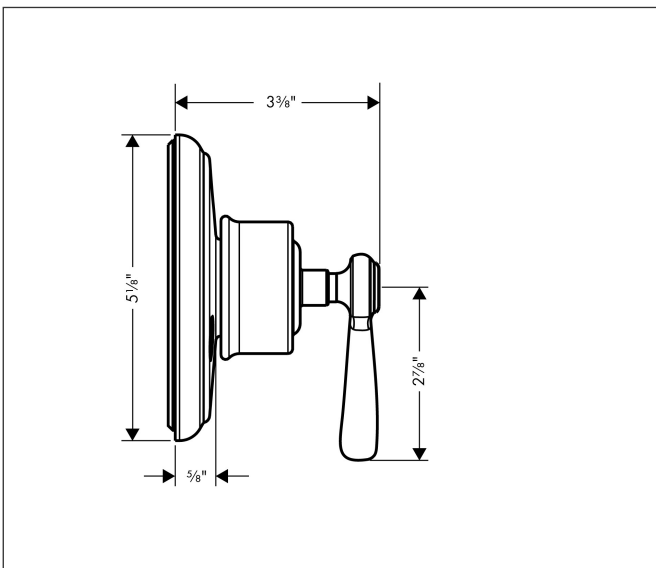
## Product Picture



## Features

- Handle, sleeve, metal escutcheon

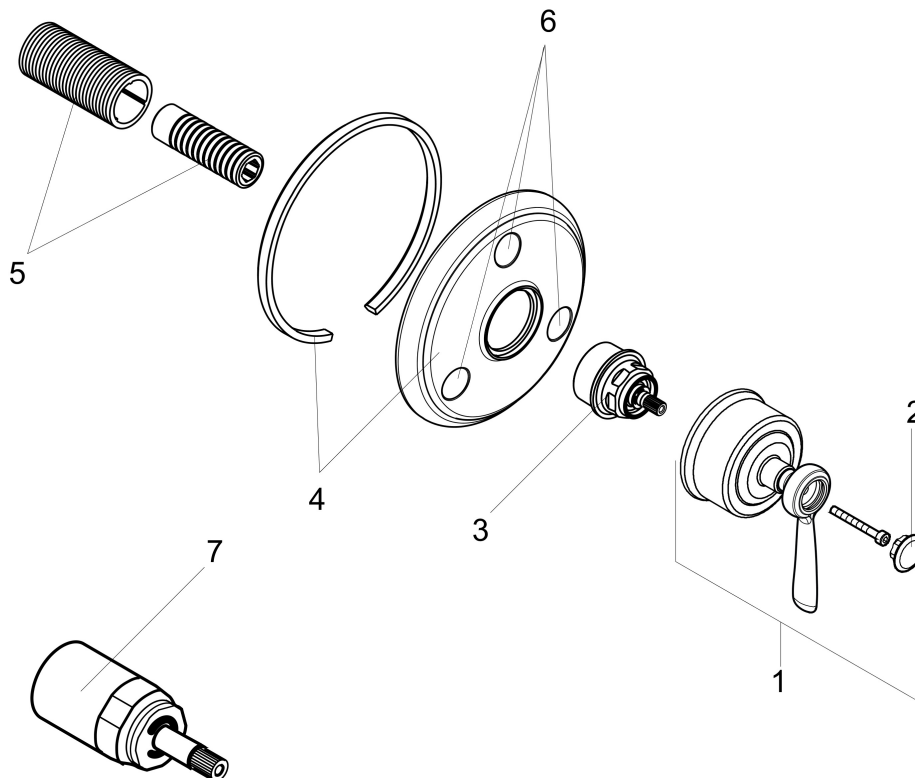
## Drawing



Brand AXOR  
Art. Name **AXOR Montreux** Diverter Trim Trio/Quattro  
Art. Nr. 16832831  
Surface polished nickel  
Pos. 1

---

## Spare Parts Drawings for build year: >06/09



Brand AXOR  
 Art. Name **AXOR Montreux** Diverter Trim Trio/Quattro  
 Art. Nr. 16832831  
 Surface polished nickel  
 Pos. 1

## Spare parts list for build year: >06/09

Pos.	Description	Article number
1	handle	16693830
2	set of screw covers, cold / hot water / neutral	97987000
3	nut	98677830
4	escutcheon	98669830
5	fixing set	96392000
6	stickers for symbols	97218610
7	extension 25 mm	96370000
a	base body	15930181
b	base body	15936181
c	base body	15984181
d	base body	15981181