

Brand AXOR
 Art. Name **AXOR Montreux** Pot Filler, Wall-Mounted
 Art. Nr. 16859001
 Surface Chrome
 Pos. 1

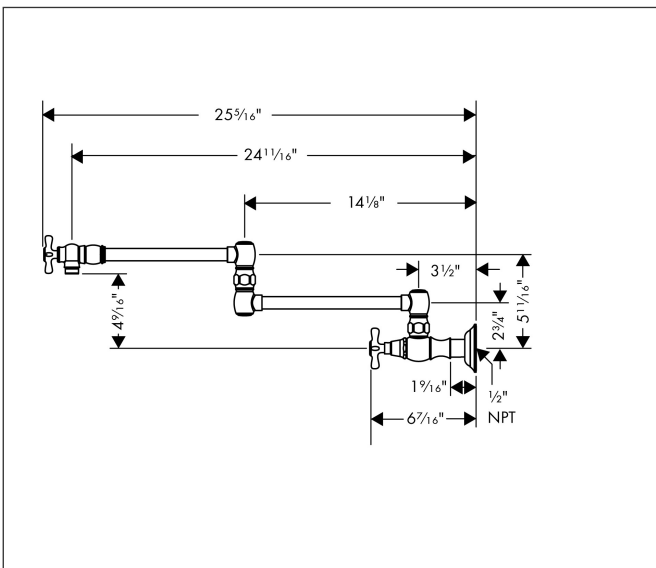
Product Picture



Features

- Swivel range 180°
- Aerated spray
- Wall-mounted
- For cold water connection
- Maximum flow rate (at 3 bar): 9.5 l/min
- Ceramic valves 90°
- 1/2" NPT
- Cross and Lever Handles

Drawing

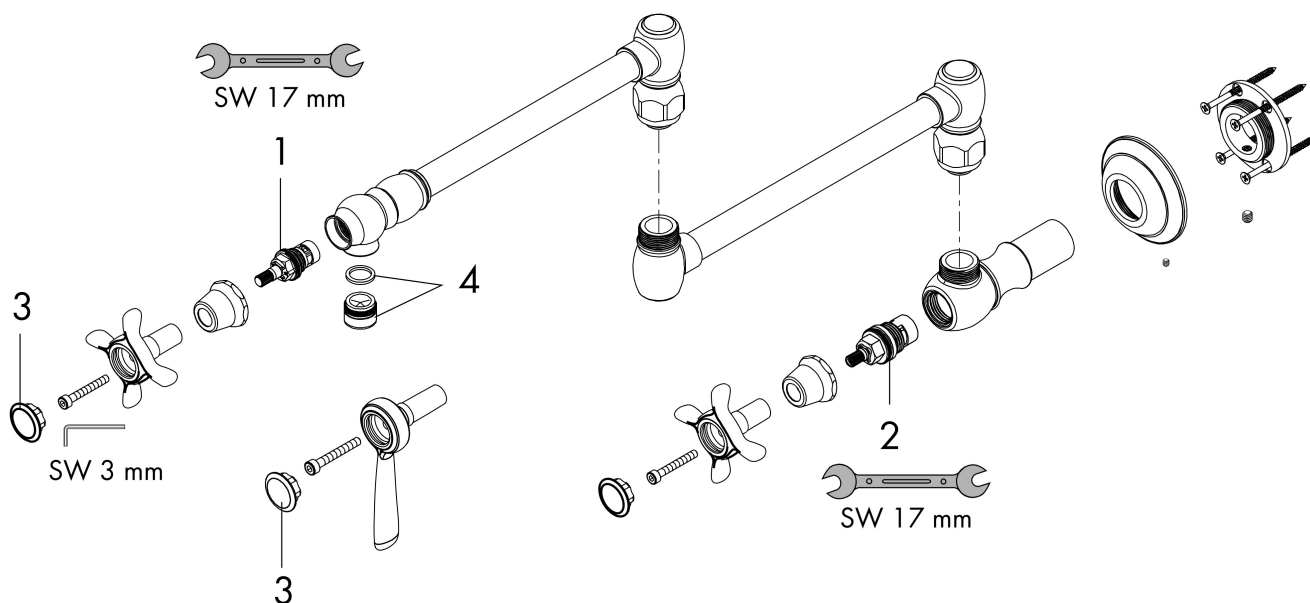


Spray Types



Brand AXOR
Art. Name **AXOR Montreux** Pot Filler, Wall-Mounted
Art. Nr. 16859001
Surface Chrome
Pos. 1

Spare Parts Drawings for build year: >08/10



Brand AXOR
Art. Name **AXOR Montreux** Pot Filler, Wall-Mounted
Art. Nr. 16859001
Surface Chrome
Pos. 1

Spare parts list for build year: >08/10

Pos.	Description	Article number
1	set of screw covers, cold / hot water / neutral	97987000
2	shut off unit	88790000
3	shut off unit	88789000
4	aerator cpl.	87557001