

Brand AXOR  
 Art. Name **AXOR Montreux** Pot Filler, Wall-Mounted  
 Art. Nr. 16859831  
 Surface polished nickel  
 Pos. 1

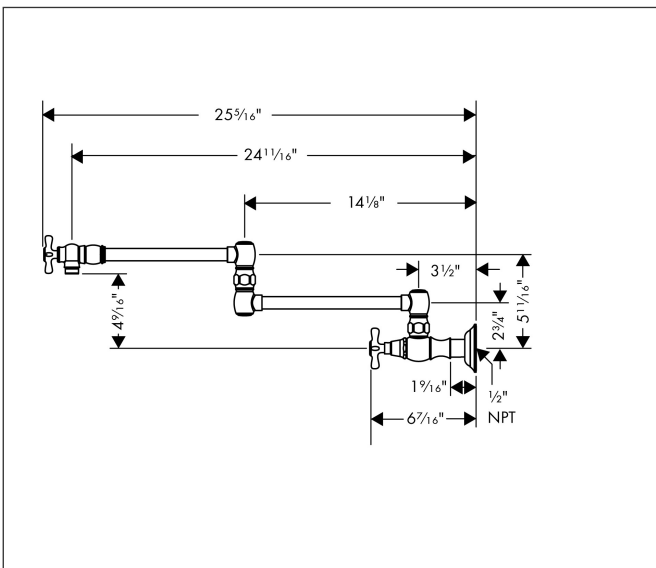
## Product Picture



## Features

- Swivel range 180°
- Aerated spray
- Wall-mounted
- For cold water connection
- Maximum flow rate (at 3 bar): 9.5 l/min
- Ceramic valves 90°
- 1/2" NPT
- Cross and Lever Handles

## Drawing



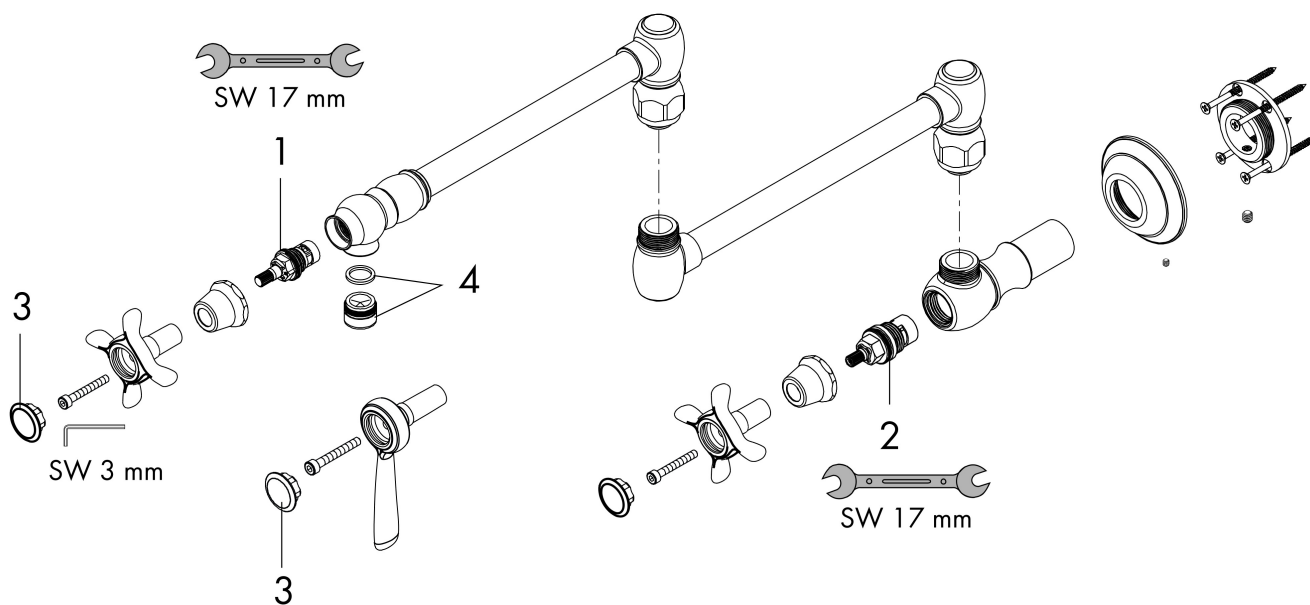
## Spray Types



Brand AXOR  
Art. Name **AXOR Montreux** Pot Filler, Wall-Mounted  
Art. Nr. 16859831  
Surface polished nickel  
Pos. 1

---

## Spare Parts Drawings for build year: >01/14



Brand AXOR  
Art. Name **AXOR Montreux** Pot Filler, Wall-Mounted  
Art. Nr. 16859831  
Surface polished nickel  
Pos. 1

---

## Spare parts list for build year: >01/14

Pos.	Description	Article number
1	shut off unit	88789000
2	shut off unit	88790000
3	set of screw covers, cold / hot water / neutral	97987000
4	aerator cpl.	87557831