

Brand AXOR
 Art. Name Rough, Thermostatic Module Select for 2 Functions, without Service Stops
 Art. Nr. 18310181
 Pos. 1

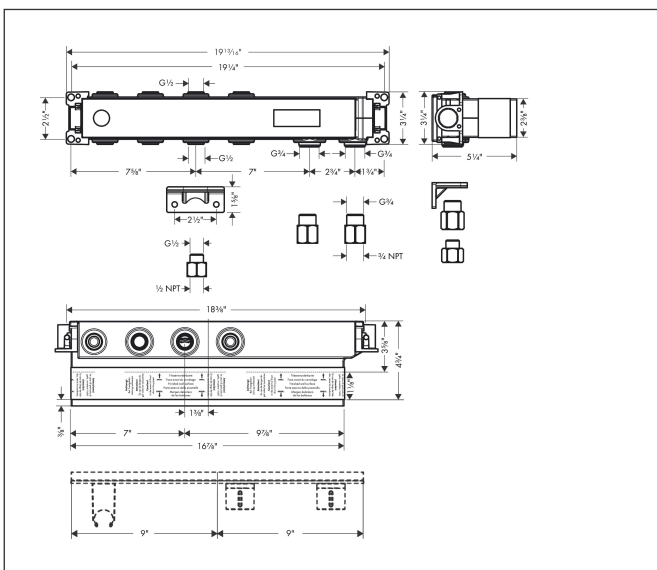
Product Picture



Features

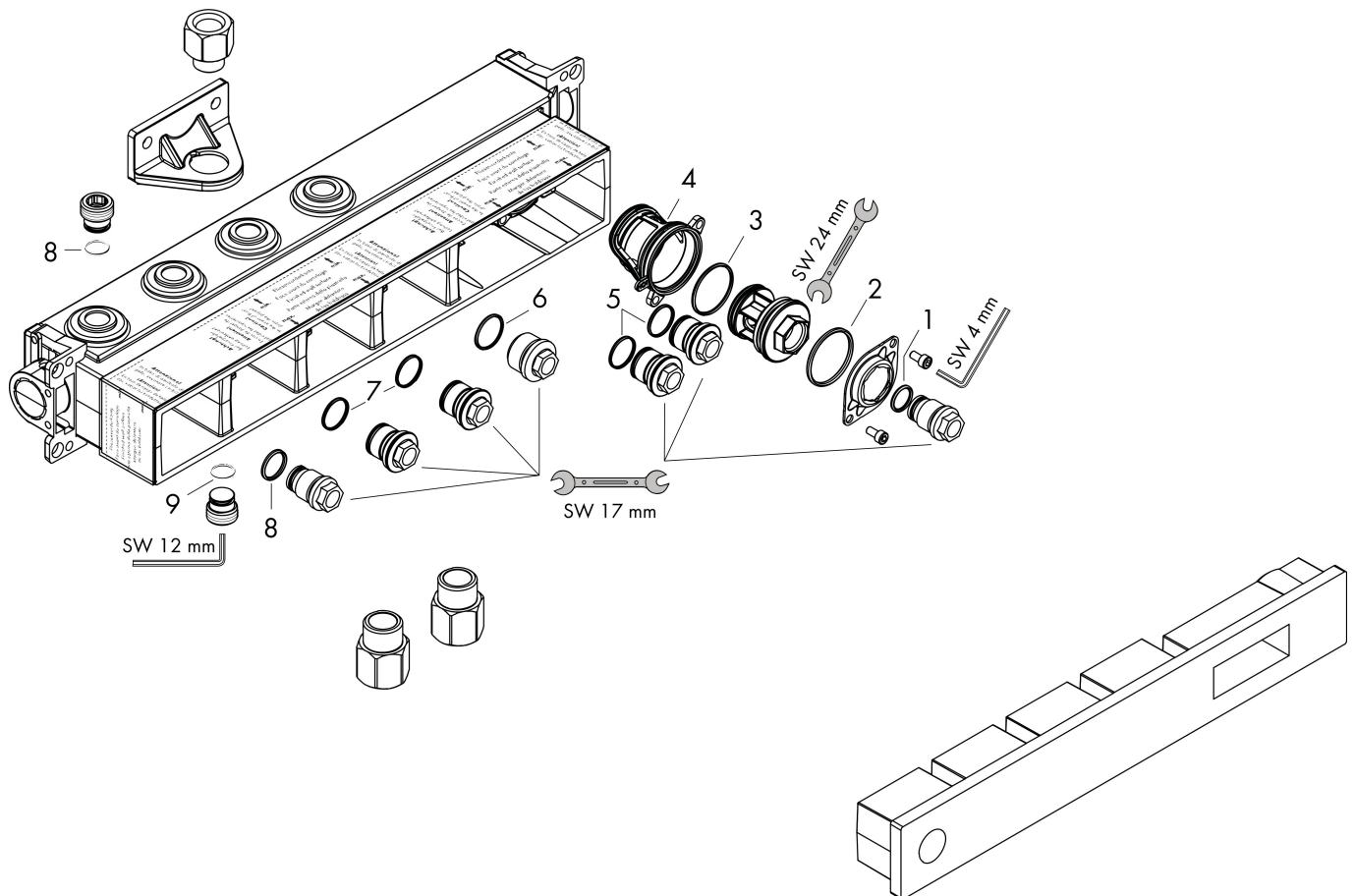
- Connection thread: $\frac{3}{4}$ " NPT
- Horizontal installation
- Sound-decoupled installation
- Minimum mounting depth: 87 mm
- Maximum mounting depth: 122 mm

Drawing



Brand AXOR
Art. Name Rough, Thermostatic Module Select for 2 Functions, without Service Stops
Art. Nr. 18310181
Pos. 1

Spare Parts Drawings for build year: >01/20



Brand AXOR
 Art. Name Rough, Thermostatic Module Select for 2 Functions, without Service Stops
 Art. Nr. 18310181
 Pos. 1

Spare parts list for build year: >01/20

Pos.	Description	Article number
1	O-ring 15x2,5	98131000
2	O-ring 38x2,5	98198000
3	sleeve	87898000
4	O-ring 34x2	98383000
5	O-ring 20x2	98165000
6	O-ring 21,95x1,78	95169000
7	O-ring 20x1,5	98197000
8	O-ring 18x2	98181000
9	O-ring 13x2	98128000
a	extension 25 mm	93432000