

Brand AXOR
Art. Name **AXOR Citterio M** Diverter Trim Trio/Quattro
Art. Nr. 34934001
Surface Chrome
Pos. 1

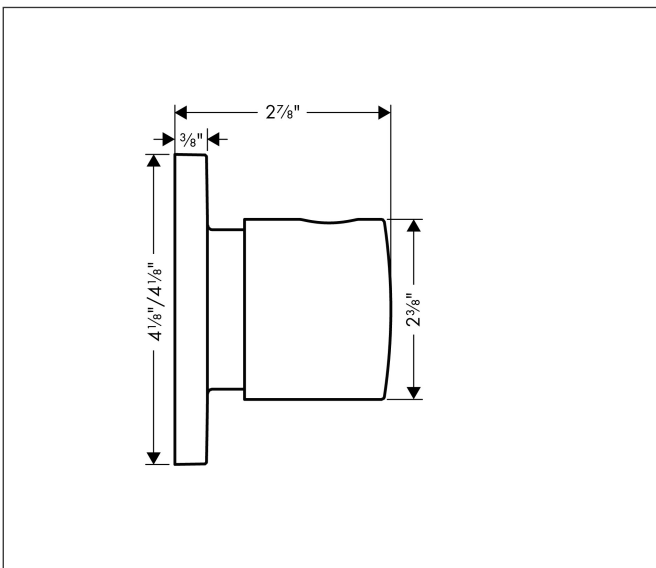
Product Picture



Features

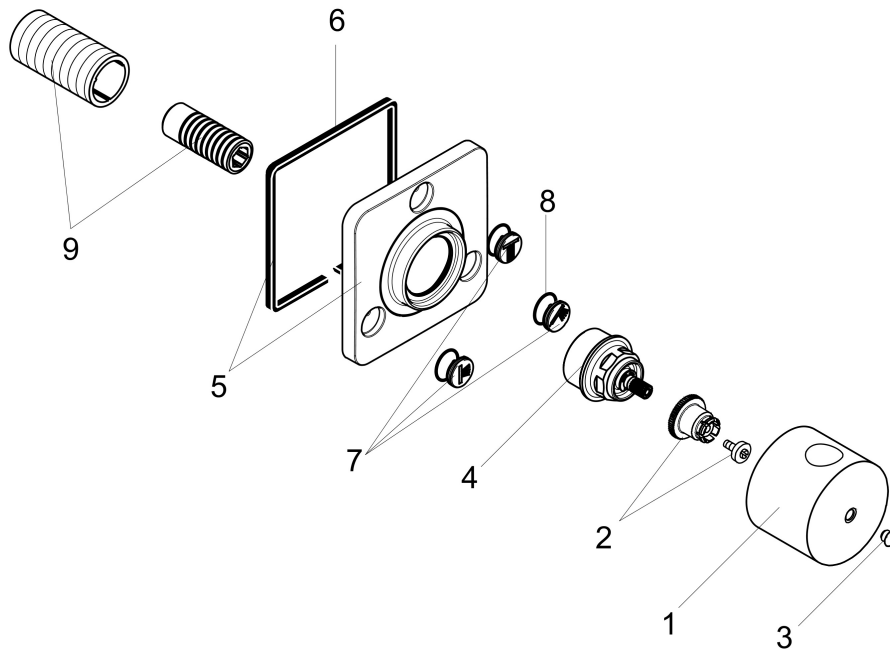
- Handle, sleeve, metal escutcheon

Drawing



Brand AXOR
Art. Name **AXOR Citterio M** Diverter Trim Trio/Quattro
Art. Nr. 34934001
Surface Chrome
Pos. 1

Spare Parts Drawings for build year: >06/09



Brand AXOR
 Art. Name **AXOR Citterio M** Diverter Trim Trio/Quattro
 Art. Nr. 34934001
 Surface Chrome
 Pos. 1

Spare parts list for build year: >06/09

Pos.	Description	Article number
1	handle	38993001
2	handle fixing set	94184001
3	cover cap	96541001
4	nut	96489000
5	escutcheon	98963000
6	seal	97737000
7	set of symbols	95238000
8	O-ring 13x2	98128000
9	fixing set	96392000
a	extension 25 mm	96370000
b	base body	15930181
c	base body	15936181
d	base body	15984181
e	base body	15981181