

Brand AXOR  
Art. Name **AXOR Citterio E** Single-Hole Faucet 190, 1.2 GPM, without Pop-up Drain  
Art. Nr. 36103001  
Surface Chrome  
Pos. 1

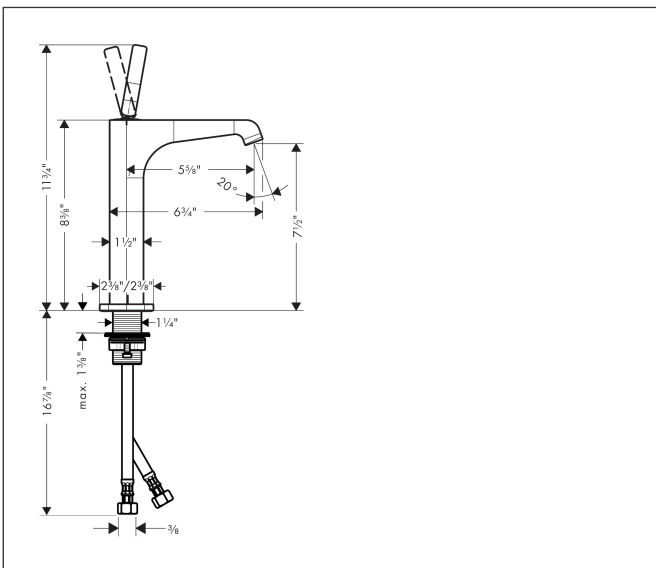
## Product Picture



## Features

- Handle design: pin handle
- Spray pattern: Laminar spray
- Maximum flow rate (at 3 bar): 4.5 l/min
- Ceramic cartridge

## Drawing

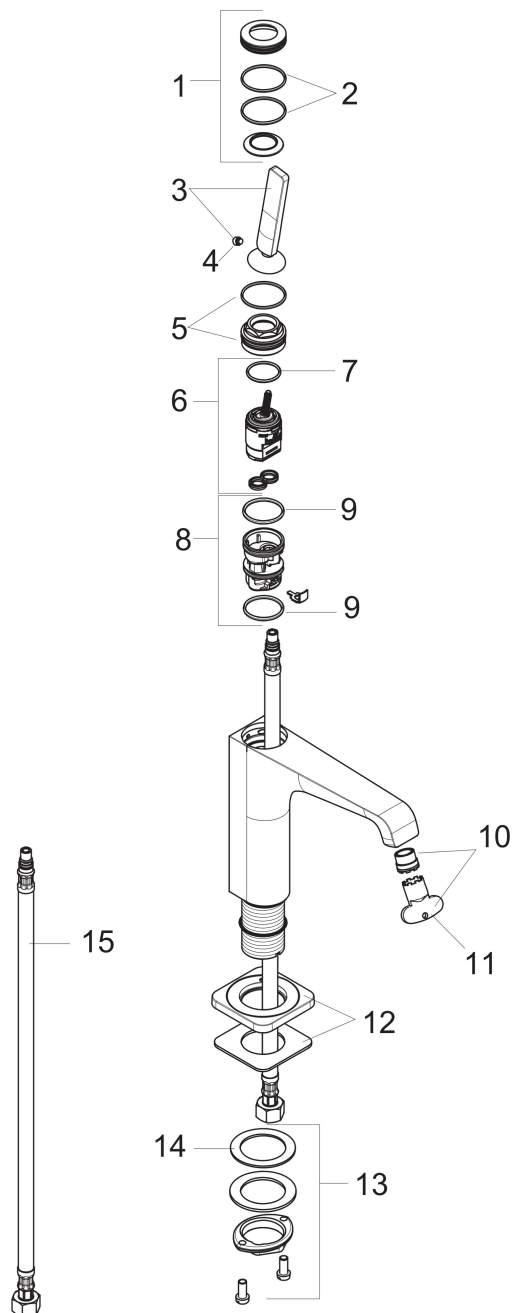


## Technology



Brand AXOR  
Art. Name **AXOR Citterio E** Single-Hole Faucet 190, 1.2 GPM, without Pop-up Drain  
Art. Nr. 36103001  
Surface Chrome  
Pos. 1

## Spare Parts Drawings for build year: >07/16



Brand AXOR  
 Art. Name **AXOR Citterio E** Single-Hole Faucet 190, 1.2 GPM, without Pop-up Drain  
 Art. Nr. 36103001  
 Surface Chrome  
 Pos. 1

## Spare parts list for build year: >07/16

Pos.	Description	Article number
1	escutcheon	92188000
2	O-ring 30x1,5	98433000
3	handle	92189000
4	hollow set screw M6x6	97660000
5	nut	95667000
6	cartridge, assy	96339000
7	O-ring 21,95x1,78	95169000
8	adapter for cartridge	95289000
9	O-ring 26x2	98147000
10	aerator laminar M16,5x1 (4,5 l/min)	92876000
11	special tool	98987000
12	escutcheon	92190000
13	fixing set (Ø 32)	13961000
14	lever collar	97548000
15	connection hose 23½" M8x0,75 3/8"	98600001
a	fixation extension 35 mm	13898000