

Brand	AXOR
Art. Name	AXOR Citterio E Single-Hole Faucet 125 with Lever Handle and Pop-Up Drain, 1.2 GPM
Art. Nr.	36110001
Surface	Chrome
Pos.	1

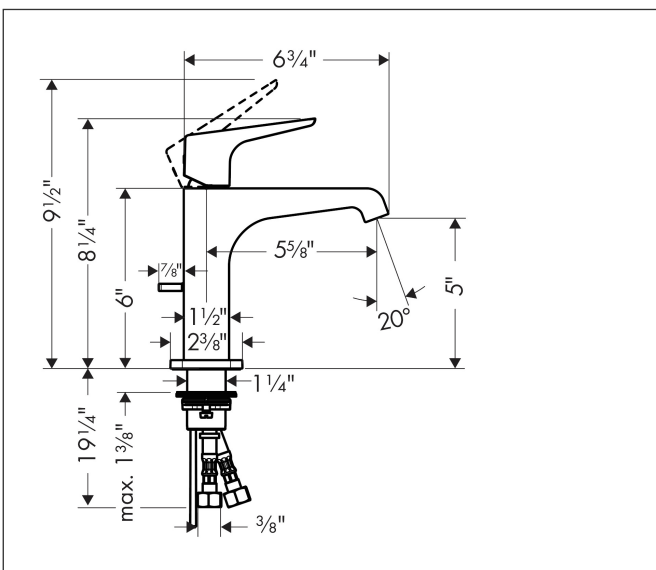
Product Picture



Features

- Handle design: lever handle
- Spray pattern: Laminar spray
- Maximum flow rate (at 3 bar): 4.5 l/min
- Ceramic cartridge
- Pop-up drain G 1

Drawing

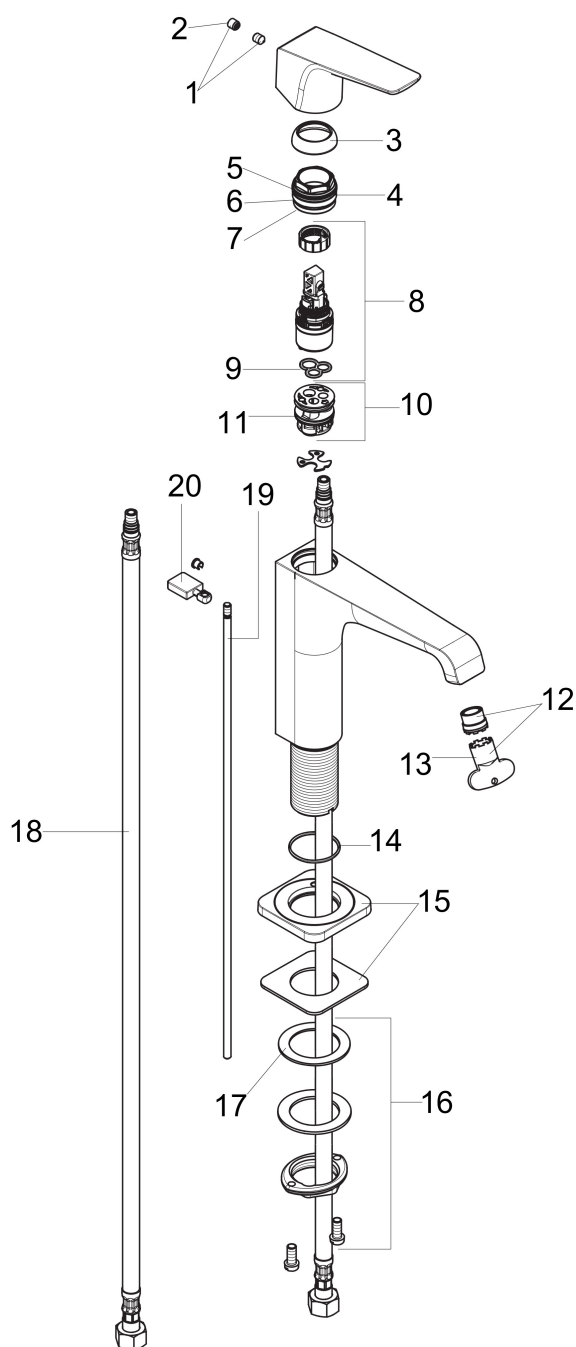


Technology



Brand AXOR
Art. Name **AXOR Citterio E** Single-Hole Faucet 125 with Lever Handle and Pop-Up Drain, 1.2 GPM
Art. Nr. 36110001
Surface Chrome
Pos. 1

Spare Parts Drawings for build year: >07/16



Brand AXOR
 Art. Name **AXOR Citterio E** Single-Hole Faucet 125 with Lever Handle and Pop-Up Drain, 1.2 GPM
 Art. Nr. 36110001
 Surface Chrome
 Pos. 1

Spare parts list for build year: >07/16

Pos.	Description	Article number
1	handle	92593000
2	screw cover	96762000
3	flange	98863000
4	nut	98864000
5	O-Ring 22x2	98185000
6	O-ring 28x1,5	98421000
7	O-ring 25x1,5	98146000
8	cartridge, assy	95973001
9	seal	98865000
10	adapter for cartridge	98866000
11	O-ring 23x2	98398000
12	aerator laminar M16,5x1 (4,5 l/min)	92876000
13	special tool	98987000
14	O-ring 30x1,5	98433000
15	escutcheon	92190000
16	fixing set (Ø 32)	13961000
17	lever collar	97548000
18	connection hose 23½" M8x0,75 3/8"	98600001
19	pull rod	95128000
20	diverter knob	92197000
a	pop up waste	88509000