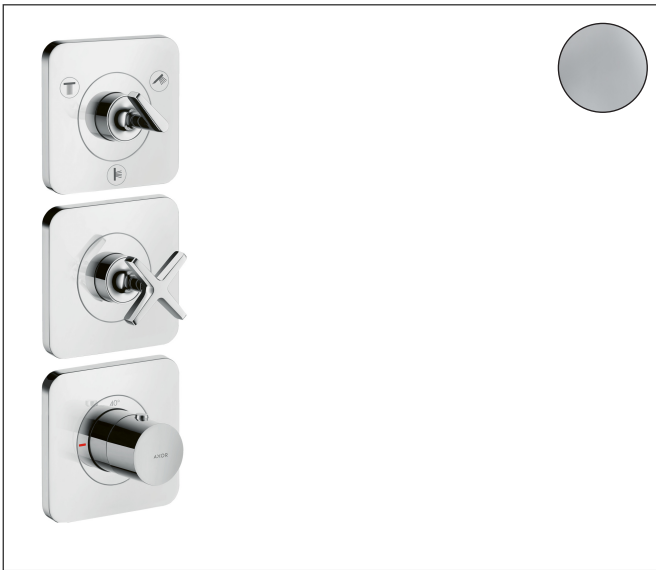


Brand AXOR
 Art. Name **AXOR Citterio E** Thermostatic Module Trim 15" x 5" for 3 Functions
 Art. Nr. 36704001
 Surface Chrome
 Pos. 1

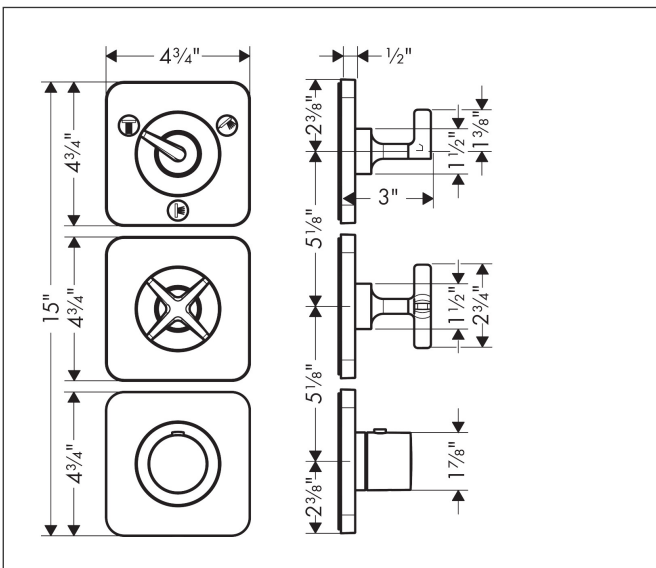
Product Picture



Features

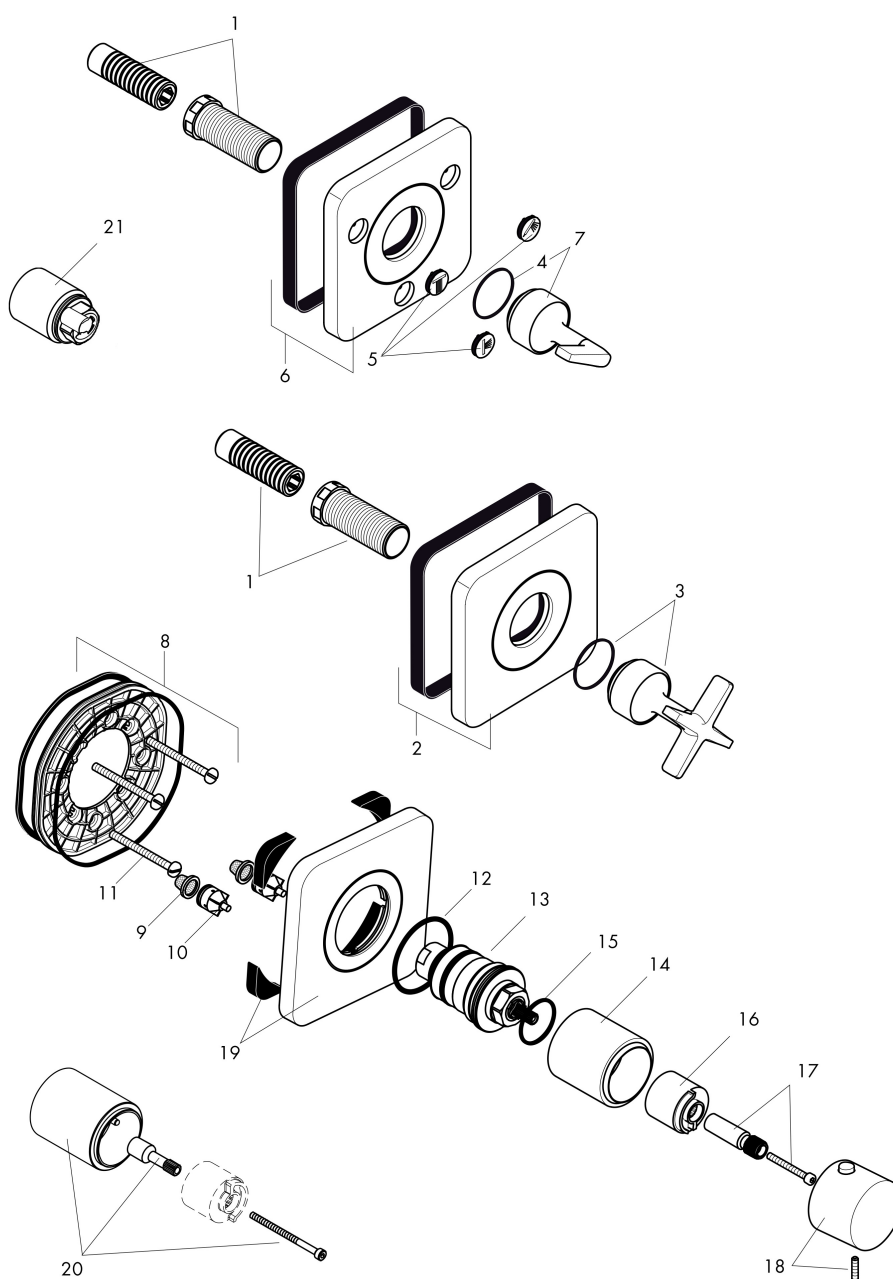
- Consists of: shower thermostad, diverter valve, shut-off valve
- Outlets may not be operated simultaneously
- Volume control and diverter for 3 functions
- Thermostat cartridge
- Maximum flow rate (at 3 bar): 22.7 l/min
- Safety stop at 40°C

Drawing



Brand AXOR
Art. Name **AXOR Citterio E** Thermostatic Module Trim 15" x 5" for 3 Functions
Art. Nr. 36704001
Surface Chrome
Pos. 1

Spare Parts Drawings for build year: 01/16 - 07/23



Brand AXOR
 Art. Name **AXOR Citterio E** Thermostatic Module Trim 15" x 5" for 3 Functions
 Art. Nr. 36704001
 Surface Chrome
 Pos. 1

Spare parts list for build year: 01/16 - 07/23

Pos.	Description	Article number
1	fixing set	96393000
2	escutcheon	92514000
3	handle	92343000
4	O-ring 30x1,5	98433000
5	set of symbols	95238000
6	escutcheon	92515000
7	handle	92441000
8	sub plate	95450000
9	filter	97973000
10	set of non return valves DW 15	97350000
11	set of fixing screws	96454000
12	O-ring 48x4	98414000
13	thermostat cartridge	96633000
14	sleeve	95331000
15	O-ring 28x2,5	98209000
16	safety set for temperature control	97334000
17	adapter for handle	98701000
18	handle for thermostat	95316001
19	escutcheon	92506000
20	extension 25 mm	10790000
21	extension 25 mm	96370000