

Brand	AXOR
Art. Name	AXOR Citterio Thermostatic Trim with Volume Control and Diverter, Lever Handle
Art. Nr.	39720821
Surface	Brushed Nickel
Pos.	1

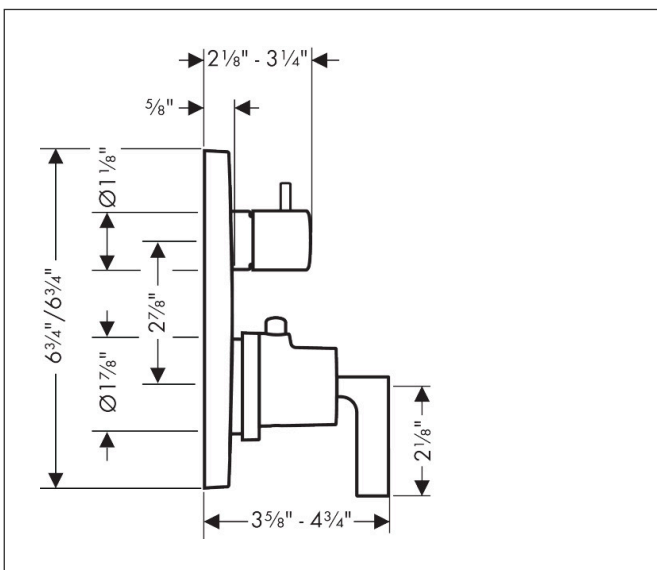
Product Picture



Features

- Volume control and diverter for 2 functions
- Thermostat cartridge, shut-off / diverter valve
- Maximum flow rate (at 3 bar): 22.3 l/min
- Safety stop at 40°C

Drawing

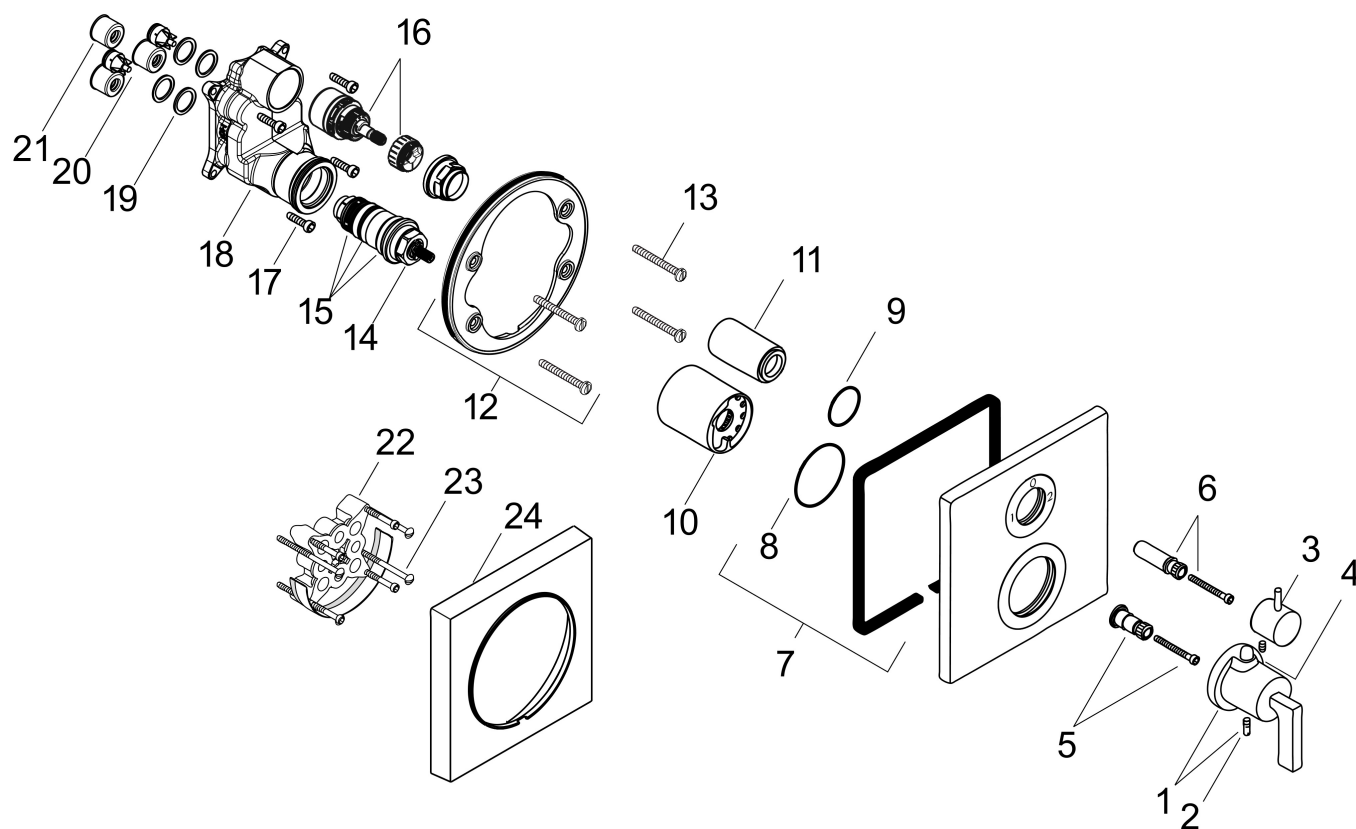


Technology



Brand AXOR
Art. Name **AXOR Citterio** Thermostatic Trim with Volume Control and Diverter, Lever Handle
Art. Nr. 39720821
Surface Brushed Nickel
Pos. 1

Spare Parts Drawings for build year: >10/13



Brand AXOR
 Art. Name **AXOR Citterio** Thermostatic Trim with Volume Control and Diverter, Lever Handle
 Art. Nr. 39720821
 Surface Brushed Nickel
 Pos. 1

Spare parts list for build year: >10/13

Pos.	Description	Article number
1	handle for thermostat	39994821
2	hollow set screw M5x10	97672000
3	pushbutton	97792820
4	handle	96520820
5	hollow set screw M4x8	97669000
6	adapter for handle	96435000
7	adapter for handle	95256000
8	escutcheon	96761820
9	O-Ring 48x3	95508000
10	O-ring 29x3	98371000
11	sleeve	96446820
12	sleeve	96439000
13	holder for escutcheon	98793000
14	set of fixing screws	96454000
15	thermostat cartridge	94282000
16	sealing set	95037000
17	shut off unit with selector	98283000
18	set of screws	96525000
19	installation unit cpl.	92592000
20	O-ring 16x2	98133000
21	set of non return valves DW 15	97350000
22	noise reduction	94073000
23	extension 22 mm	97407820
24	extension 25 mm	13595000