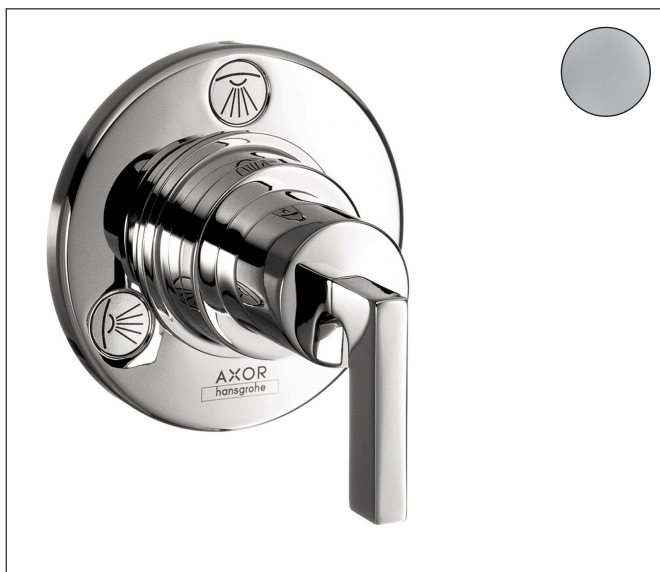


Brand AXOR
Art. Name **AXOR Citterio** Diverter Trim Trio/Quattro
Art. Nr. 39931001
Surface Chrome
Pos. 1

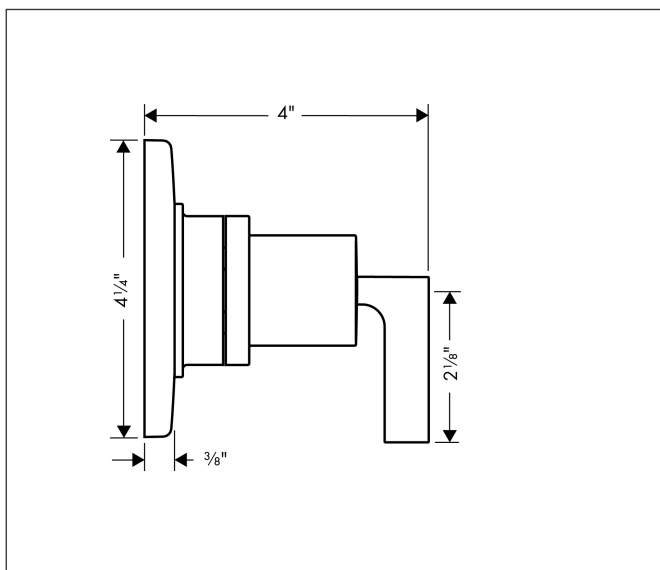
Product Picture



Features

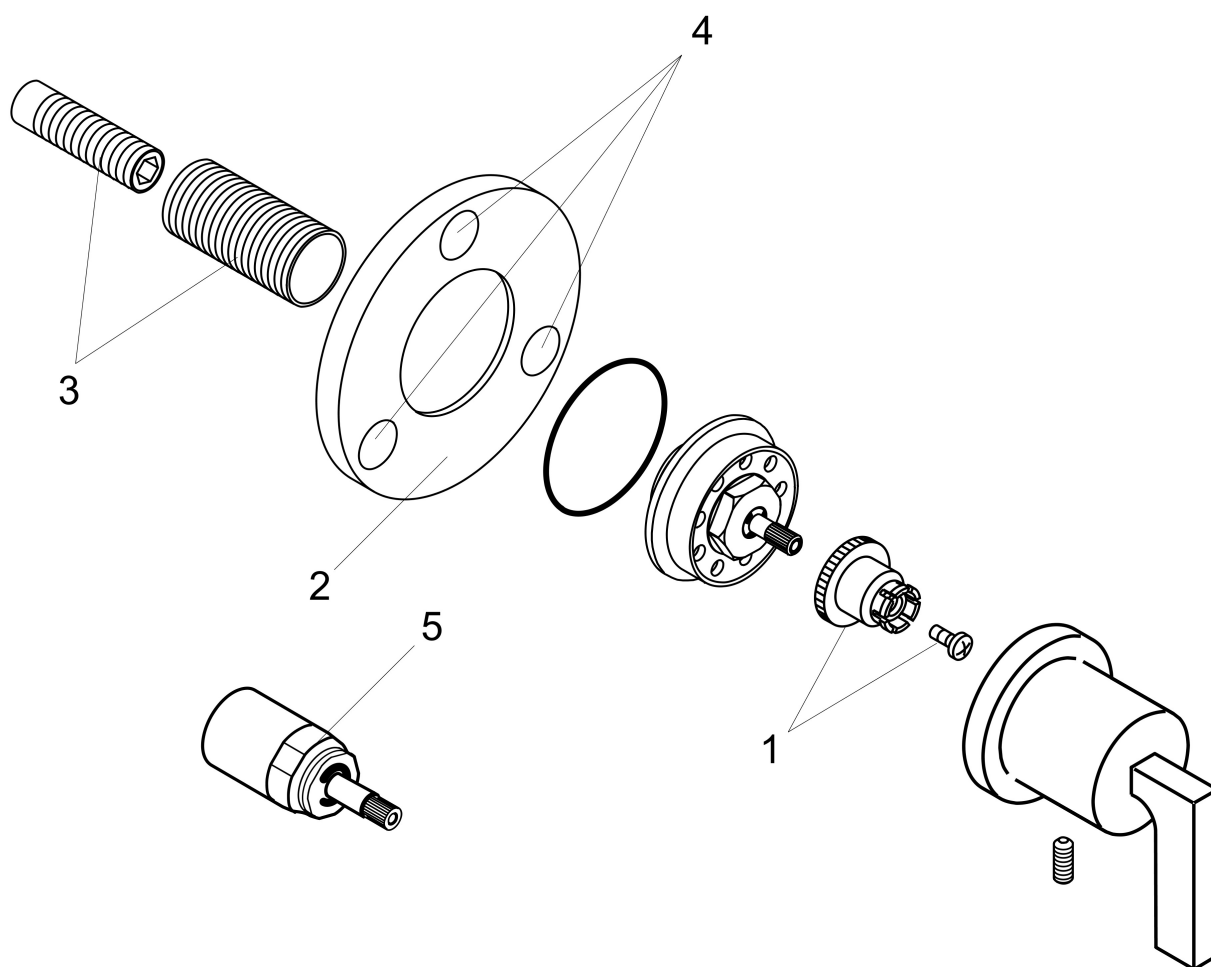
- Handle, sleeve, metal escutcheon

Drawing



Brand AXOR
Art. Name **AXOR Citterio** Diverter Trim Trio/Quattro
Art. Nr. 39931001
Surface Chrome
Pos. 1

Spare Parts Drawings for build year: >11/09



Brand AXOR
Art. Name **AXOR Citterio** Diverter Trim Trio/Quattro
Art. Nr. 39931001
Surface Chrome
Pos. 1

Spare parts list for build year: >11/09

Pos.	Description	Article number
1	handle fixing set	94184000
2	escutcheon Ø 108 mm	13936000
3	fixing set	96392000
4	stickers for symbols	97218610
a	nut	96489000