

Brand AXOR
Art. Name **AXOR Universal Rectangular** Towel Holder Twin-Handle
Art. Nr. 42622000
Surface Chrome
Pos. 1



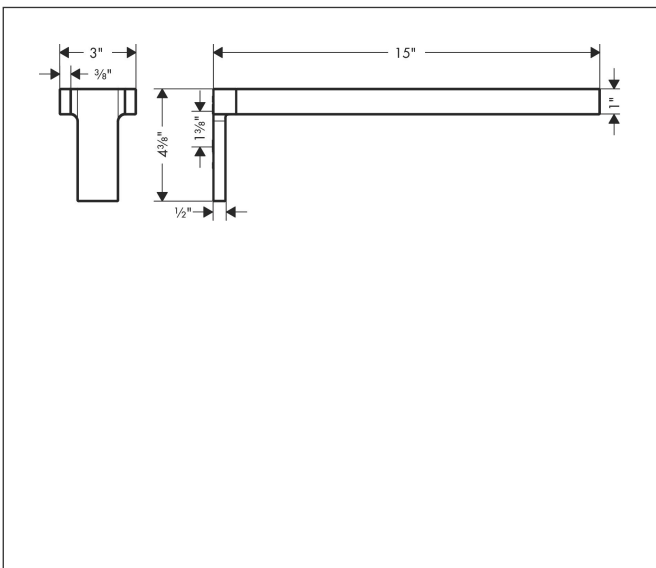
Product Picture



Features

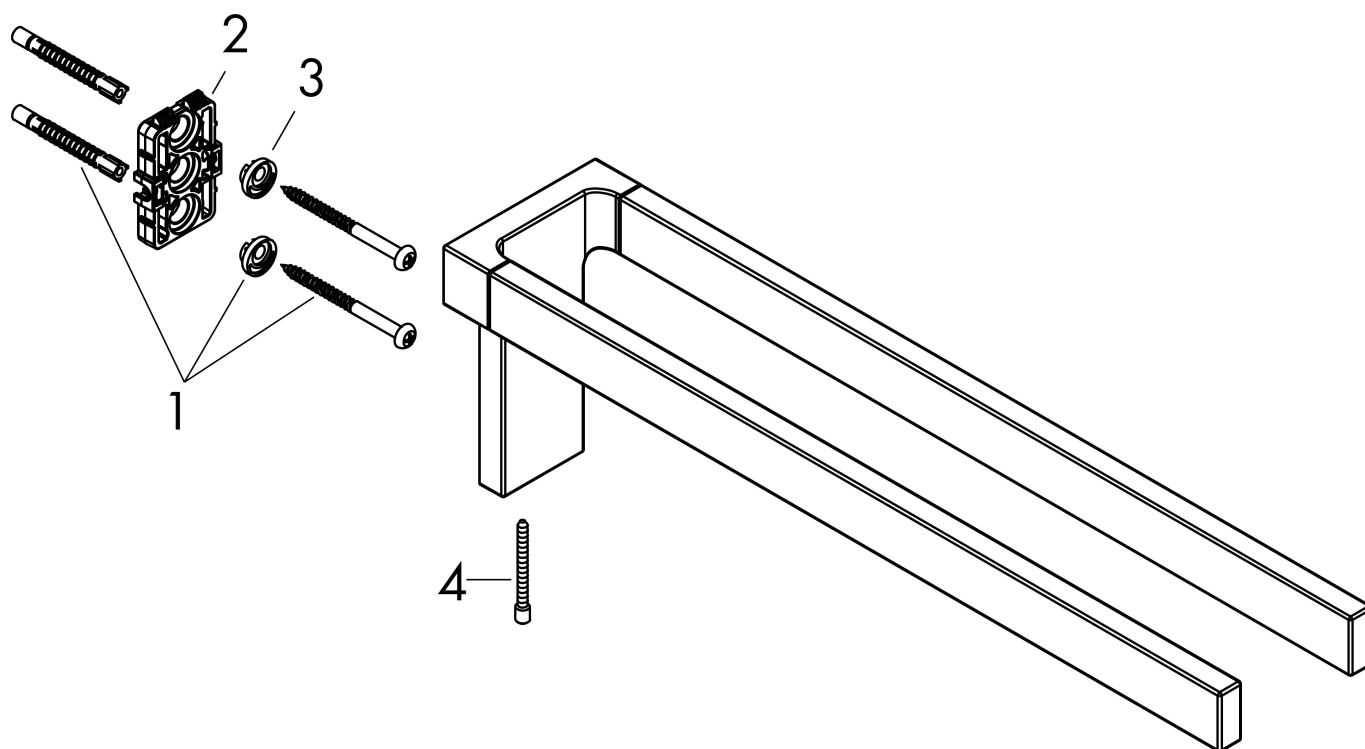
- Wall-mounted
- Metal
- Metal holder
- Fixed
- With mounting material
- Diameter drill hole: 6 mm
- Concealed fastening

Drawing



Brand AXOR
Art. Name **AXOR Universal Rectangular** Towel Holder Twin-Handle
Art. Nr. 42622000
Surface Chrome
Pos. 1

Spare Parts Drawings for build year: >10/22



Brand AXOR
Art. Name **AXOR Universal Rectangular** Towel Holder Twin-Handle
Art. Nr. 42622000
Surface Chrome
Pos. 1

Spare parts list for build year: >10/22

Pos.	Description	Article number
1	mounting set	96179000
2	support cpl.	94682000
3	excentric socket	97604000
4	locking screw	94683000