

Brand AXOR
 Art. Name **AXOR One** Thermostatic Module Trim for 3 Functions
 Art. Nr. 45713821
 Surface Brushed Nickel
 Pos. 1

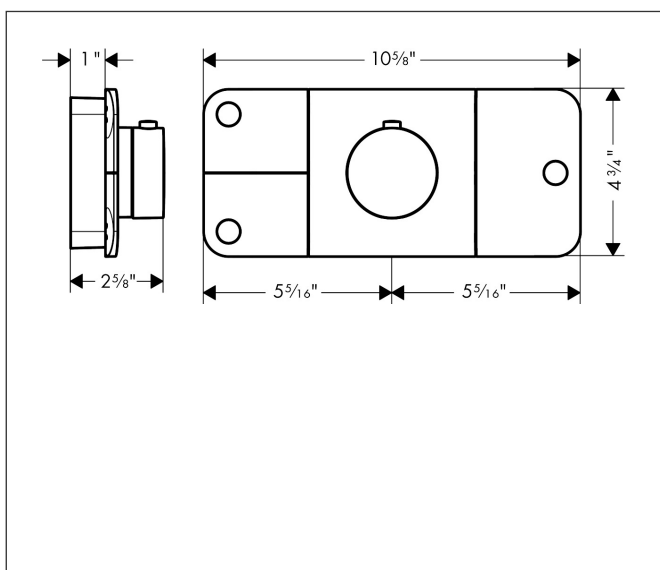
Product Picture



Features

- Multiple outlets can be run simultaneously
- Comfortable turning on / off of outlets with large Select-paddle
- Thermostat cartridge, Start/stop valve to operate the functions
- Flow rate left and right: 6.6 l/min
- Flow rate per outlet (at 3 bar): 21.9 l/min
- Safety stop at 40°C
- Thermostat is delivered with buttons handshower, Rain large and Body spray

Drawing

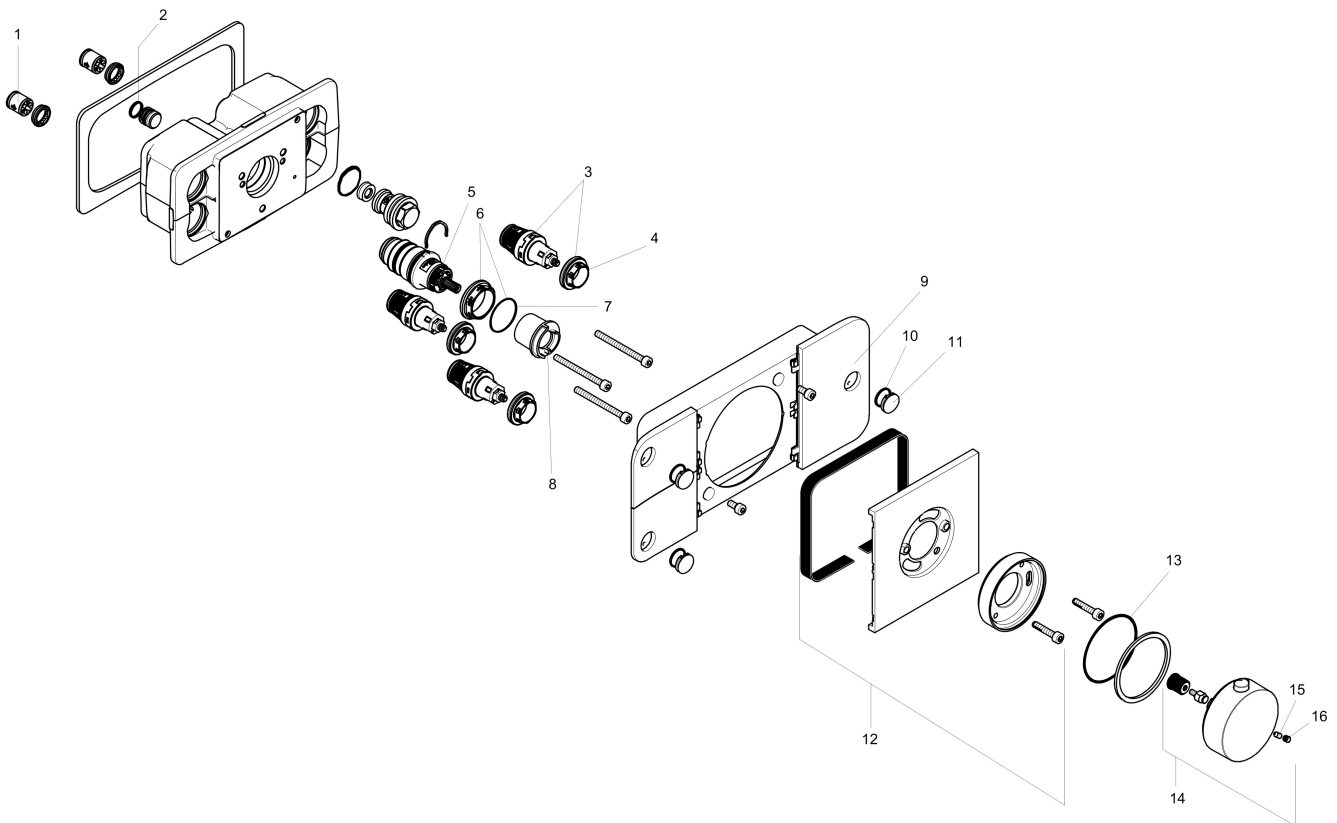


Technology



Brand AXOR
Art. Name **AXOR One** Thermostatic Module Trim for 3 Functions
Art. Nr. 45713821
Surface Brushed Nickel
Pos. 1

Spare Parts Drawings for build year: >07/16



Brand AXOR
 Art. Name **AXOR One** Thermostatic Module Trim for 3 Functions
 Art. Nr. 45713821
 Surface Brushed Nickel
 Pos. 1

Spare parts list for build year: >07/16

Pos.	Description	Article number
1	non return valve	97980000
2	O-ring 11x2	98127000
3	shut off unit	95758000
4	nut	98368000
5	thermostat cartridge	98282000
6	nut	98913000
7	O-ring 26x1,5	98390000
8	safety set	92614000
9	control panel	92613000
10	set of symbols	92541830
11	O-ring 13x2	98128000
12	escutcheon	92599821
13	O-ring 57x2	98210000
14	handle for thermostat	92600821
15	hollow set screw M4x8	97669000
16	screw cover	95181000