

Brand	AXOR
Art. Name	<b>AXOR Edge</b> Thermostatic Trim with Volume Control and Diverter - Diamond Cut
Art. Nr.	46761001
Surface	Chrome
Pos.	1

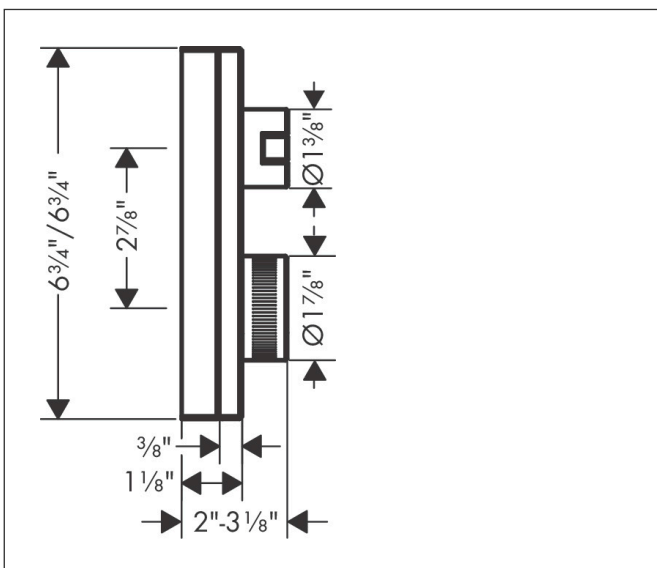
## Product Picture



## Features

- Volume control and diverter for 2 functions
- Thermostat cartridge, shut-off / diverter valve
- Maximum flow rate (at 3 bar): 22 l/min
- Safety stop at 40°C

## Drawing

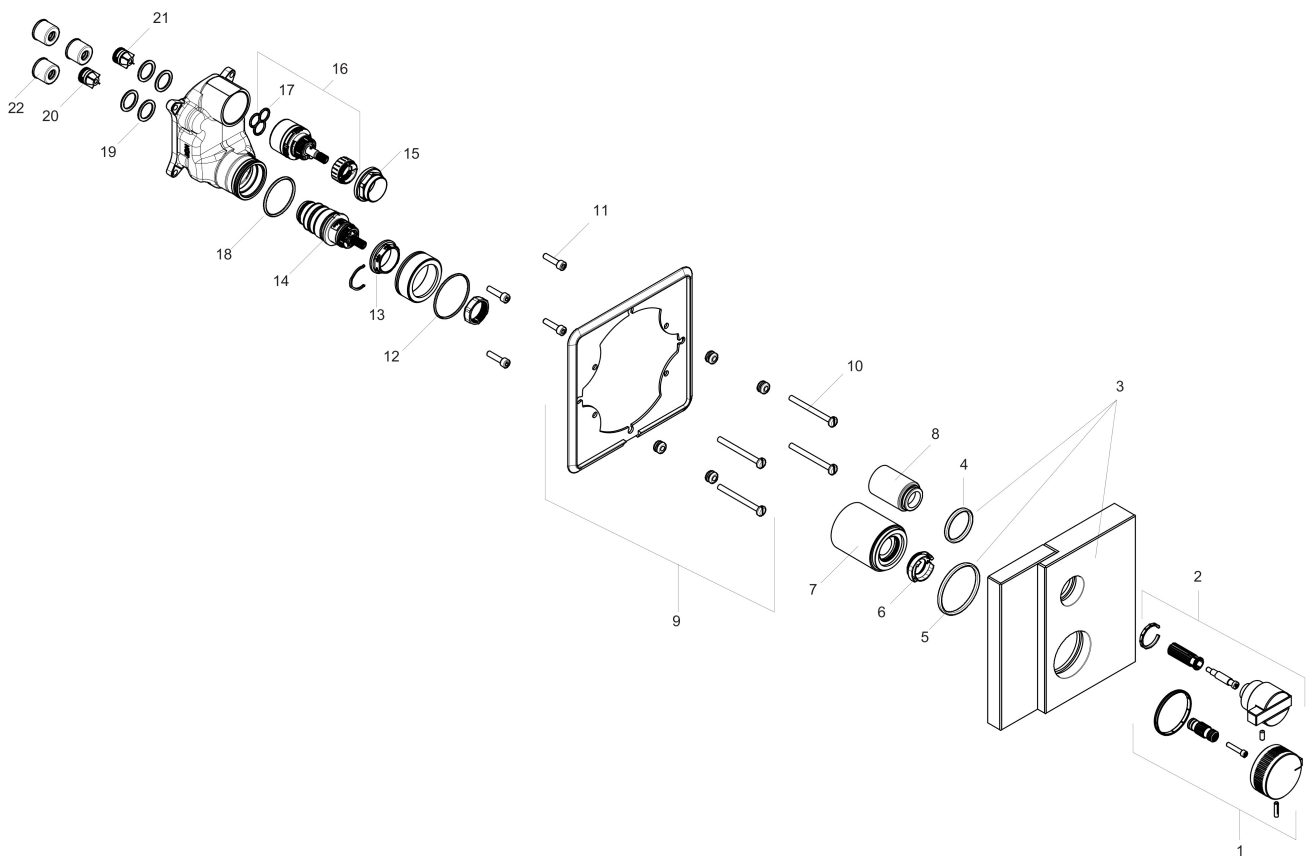


## Technology



Brand AXOR  
Art. Name **AXOR Edge** Thermostatic Trim with Volume Control and Diverter - Diamond Cut  
Art. Nr. 46761001  
Surface Chrome  
Pos. 1

## Spare Parts Drawings for build year: >01/20



Brand AXOR  
 Art. Name **AXOR Edge** Thermostatic Trim with Volume Control and Diverter - Diamond Cut  
 Art. Nr. 46761001  
 Surface Chrome  
 Pos. 1

## Spare parts list for build year: >01/20

Pos.	Description	Article number
1	handle for thermostat	93593001
2	handle	93762001
3	escutcheon 170 / 170 mm	93598000
4	O-ring 29x3	98371000
5	O-Ring 48x3	95508000
6	safety set	93603000
7	sleeve	93602000
8	sleeve	93601000
9	sub plate	93604000
10	set of fixing screws	96454000
11	set of screws	96525000
12	O-ring 43x1,5	98148000
13	nut	98913000
14	thermostat cartridge	98282000
15	nut	93605000
16	shut off unit with selector	98283000
17	seal	95008000
18	O-ring 36x2	98156000
19	O-ring 16x2	98133000
20	non return valve (pressure-resistant up to 2 MPa)	92594000
21	set of non return valves DW 15	94074000
22	noise reduction	94073000
a	cartridge for exchanged connections	92373000
b	extension 25 mm	13595000
c	set of fixing screws	97747000