

Brand AXOR
 Art. Name **AXOR MyEdition** Single-Hole Faucet 70 without Plate, 1.2 GPM, without Pop-up Drain
 Art. Nr. 47012001
 Surface Chrome
 Pos. 1

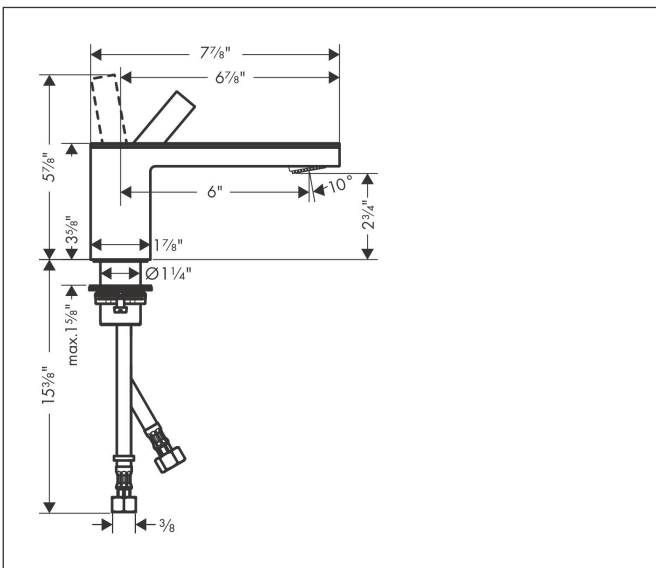
Product Picture



Features

- Handle design: lever handle
- Spray pattern: PowderRain
- Maximum flow rate (at 3 bar): 4.5 l/min
- Ceramic cartridge

Drawing

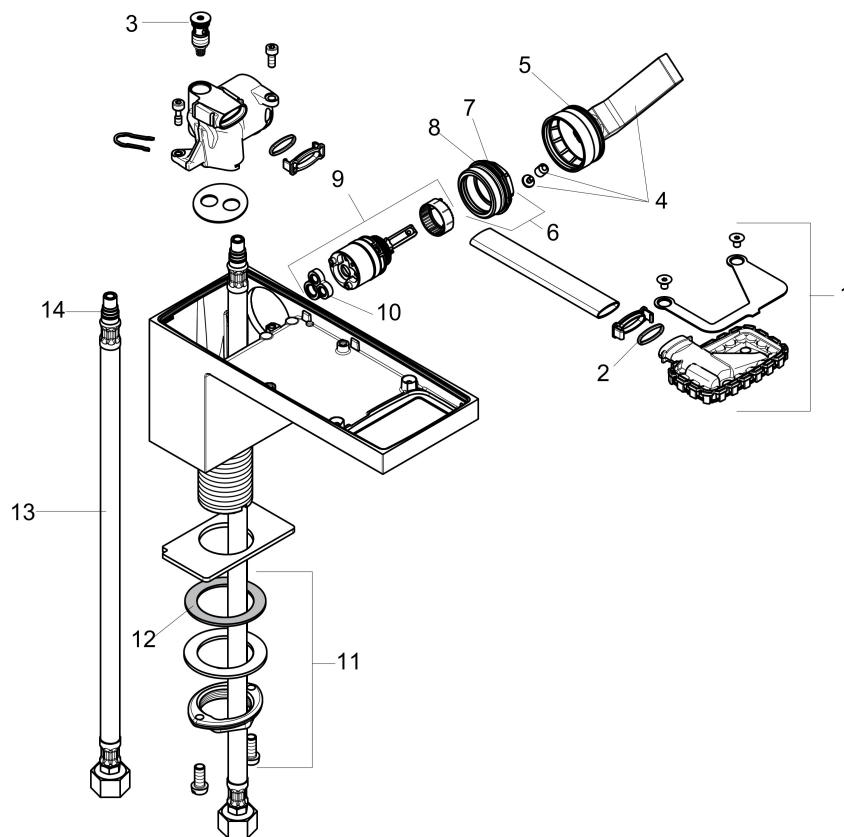


Technology



Brand AXOR
Art. Name **AXOR MyEdition** Single-Hole Faucet 70 without Plate, 1.2 GPM, without Pop-up Drain
Art. Nr. 47012001
Surface Chrome
Pos. 1

Spare Parts Drawings for build year: >02/19



Brand AXOR
 Art. Name **AXOR MyEdition** Single-Hole Faucet 70 without Plate, 1.2 GPM, without Pop-up Drain
 Art. Nr. 47012001
 Surface Chrome
 Pos. 1

Spare parts list for build year: >02/19

Pos.	Description	Article number
1	spray former	93385000
2	O-ring 13x1,5	98475000
3	O-ring 8x1,75	97827000
4	handle	93386000
5	O-ring 33x1,5	98164000
6	nut	92926000
7	O-ring 30x1,5	98433000
8	O-ring 25x1,5	98146000
9	cartridge, assy	92900000
10	seal	93383000
11	fixing set (Ø 32)	13961000
12	lever collar	97548000
13	connection hose 35½" M8x0,75 3/8"	96316001
14	O-ring 7x1,5	98422000
a	cover	47906000
b	cover	47909000
c	cover	47913000
d	cover	47916000
e	cover	47903000
f	cover	47900000