

Brand	AXOR
Art. Name	AXOR MyEdition Widespread Faucet 70 without Plate, 1.2 GPM, without Pop-up Drain
Art. Nr.	47052001
Surface	Chrome
Pos.	1

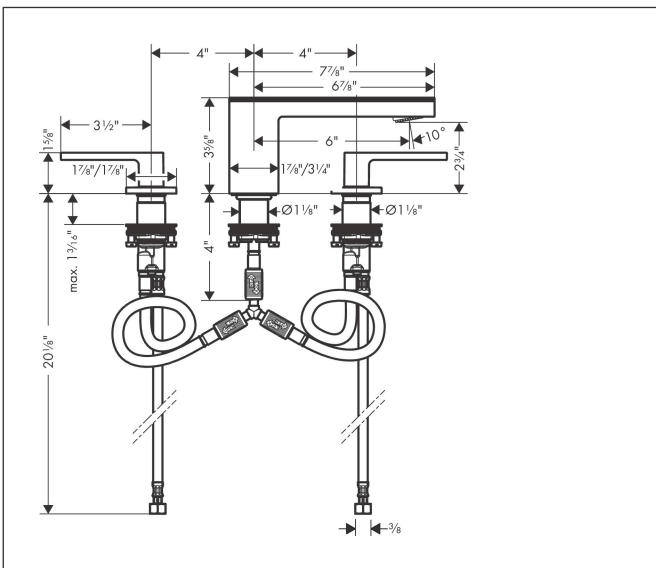
Product Picture



Features

- Spout height: 3 Inch
- Handle design: lever handle
- Spray pattern: PowderRain
- Maximum flow rate (at 3 bar): 4.5 l/min
- Ceramic valves hot/cold 90°

Drawing

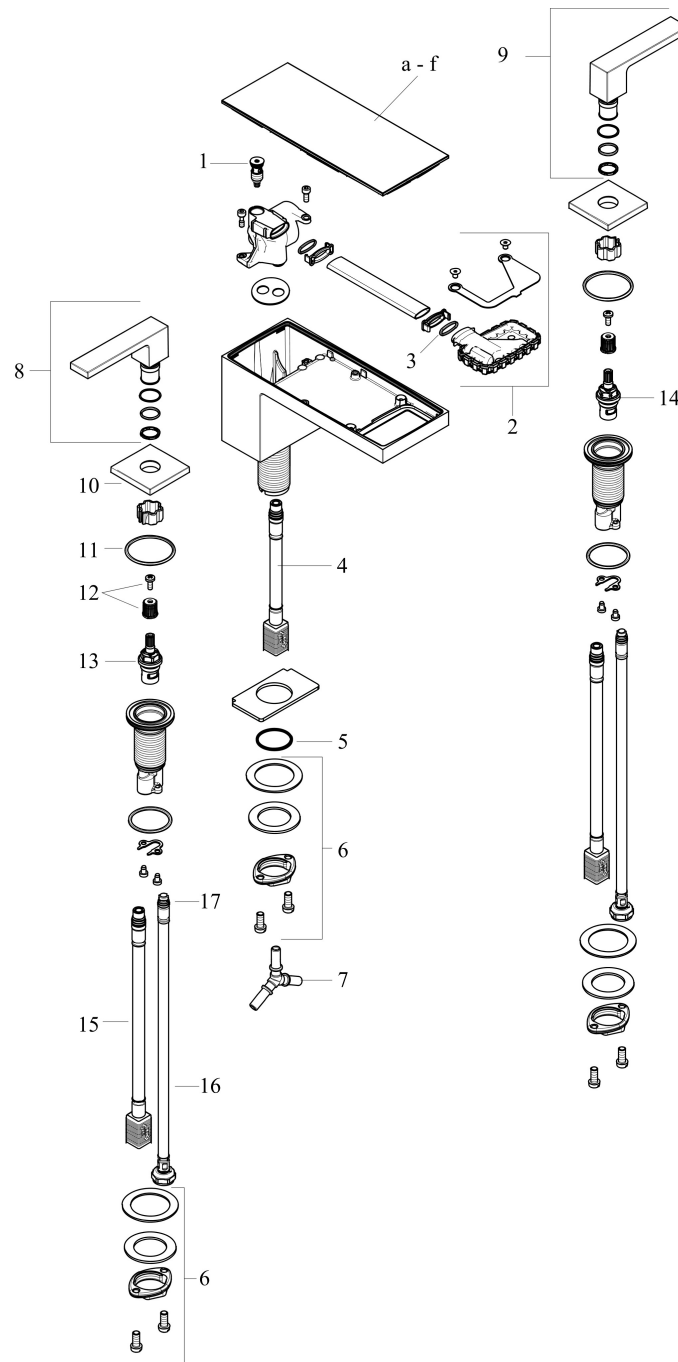


Technology



Brand AXOR
Art. Name **AXOR MyEdition** Widespread Faucet 70 without Plate, 1.2 GPM, without Pop-up
Drain
Art. Nr. 47052001
Surface Chrome
Pos. 1

Spare Parts Drawings for build year: >02/19



Brand AXOR
 Art. Name **AXOR MyEdition** Widespread Faucet 70 without Plate, 1.2 GPM, without Pop-up Drain
 Art. Nr. 47052001
 Surface Chrome
 Pos. 1

Spare parts list for build year: >02/19

Pos.	Description	Article number
1	O-ring 8x1,75	97827000
2	spray former	93385000
3	O-ring 13x1,5	98475000
4	null	92913000
5	O-ring 26x4	92191000
6	null	92909000
7	hose connection angel	92905000
8	handle for hot water	93379000
9	handle for cold water	93380000
10	escutcheon for handle	93381000
11	null	92907000
12	handle fixing set	98932000
13	shut off unit right closing	98817001
14	shut off unit left closing	95366001
15	null	92914000
16	connection hose 18½" M8x0,75 3/8"	96321001
17	O-ring 7x1,5	98422000
a	cover	47906000
b	cover	47909000
c	cover	47913000
d	cover	47916000
e	cover	47903000
f	cover	47900000