

Brand	AXOR
Art. Name	<b>AXOR MyEdition</b> Freestanding Tub Filler Trim with 1.75 GPM Handshower without Plate
Art. Nr.	47442001
Surface	Chrome
Pos.	1

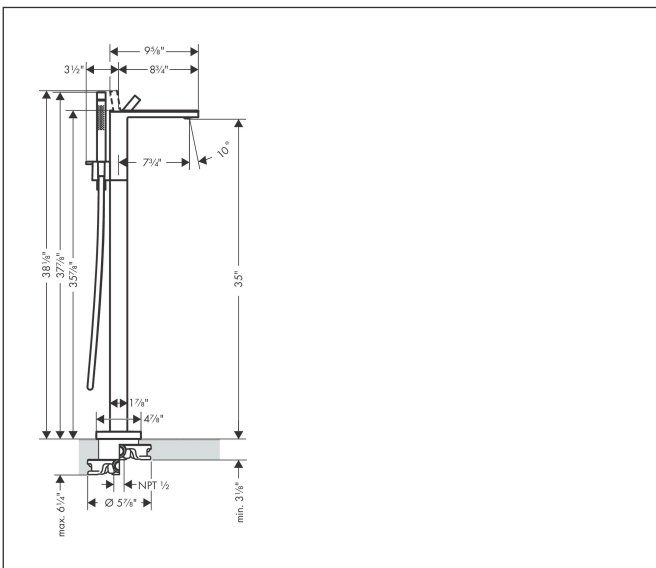
## Product Picture



## Features

- Spray type faucet: Aerated spray
- Spray type handshower: Stream, IntenseRain
- Maximum flow rate (at 3 bar): 20 l/min
- Flow rate of handshower (at 3 bar): 6.6 l/min
- Ceramic cartridge
- Diverter with automatic resetting
- Non-return valve

## Drawing



## Technology

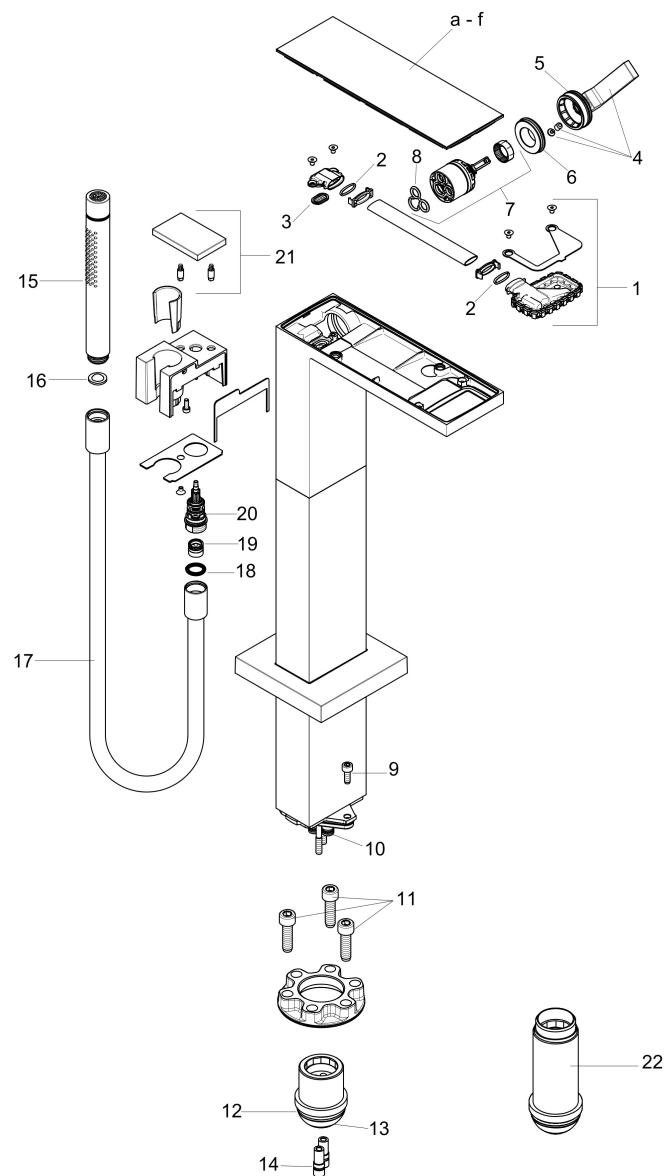


## Spray Types



Brand AXOR  
 Art. Name **AXOR MyEdition** Freestanding Tub Filler Trim with 1.75 GPM Handshower without Plate  
 Art. Nr. 47442001  
 Surface Chrome  
 Pos. 1

## Spare Parts Drawings for build year: >02/19



Brand AXOR  
 Art. Name **AXOR MyEdition** Freestanding Tub Filler Trim with 1.75 GPM Handshower without Plate  
 Art. Nr. 47442001  
 Surface Chrome  
 Pos. 1

## Spare parts list for build year: >02/19

Pos.	Description	Article number
1	spray former	93376000
2	O-ring 13x1,5	98475000
3	filter packing	93378000
4	handle	93361000
5	O-ring 35x1,5	92114000
6	nut	93363000
7	cartridge, assy	93185000
8	seal	95008000
9	hexagon socket screw M6x16	92857000
10	O-ring 9x1,5	98117000
11	hexagon socket screw M10x35	97670000
12	O-ring 44x2,5	98162000
13	O-ring 29x3	98371000
14	O-ring 7x2	98419000
15	handshower	04486000
16	filter packing	94246000
17	shower hose 1,25 m	28282000
18	seal	98058000
19	set of non return valves DW 15	94074000
20	selector	97978000
21	diverter knob	93362000
22	extension set 60 mm	97686000
a	cover	47907000
b	cover	47910000
c	cover	47914000
d	cover	47917000
e	cover	47904000
f	cover	47901000