

Brand AXOR
Art. Name **AXOR Citterio C** Pressure Balance Trim- Cubic Cut
Art. Nr. 49491141
Surface Brushed Bronze
Pos. 1

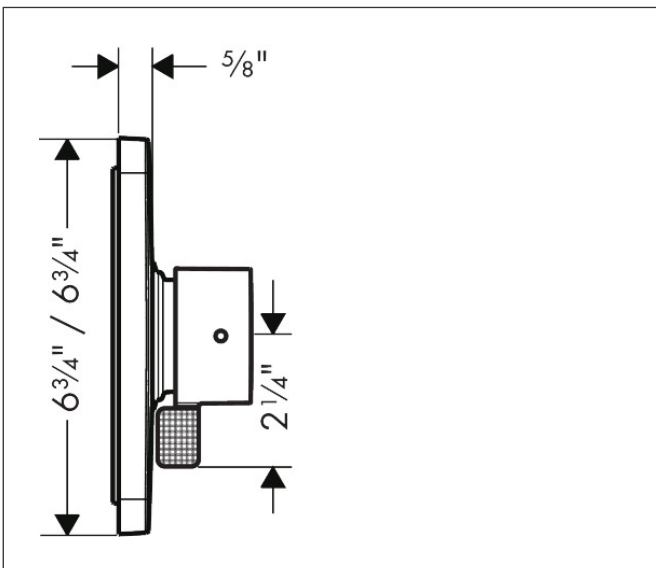
Product Picture



Features

- Temperature and volume control for 1 outlet
- Maximum flow rate at 60 psi: 5.3 GPM
- Bypass for use with diverter-type tub spouts
- Connection type: rough

Drawing



Certificates/approvals

