

AXOR Citterio E
Widespread Faucet 170 with Pop-Up Drain, 1.2 GPM
 Finishes : **chrome** Part no. : **36108001**



Description

Features

- Laminar spray
- Flow: 1.2 GPM (4.5 L/Min)
- 90° ceramic valves
- Includes pop-up drain

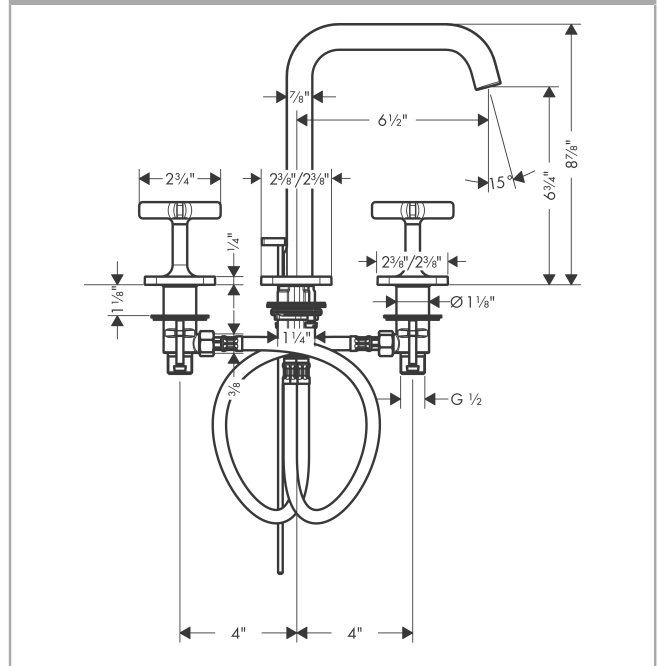
Technology



Product image



Scale drawing

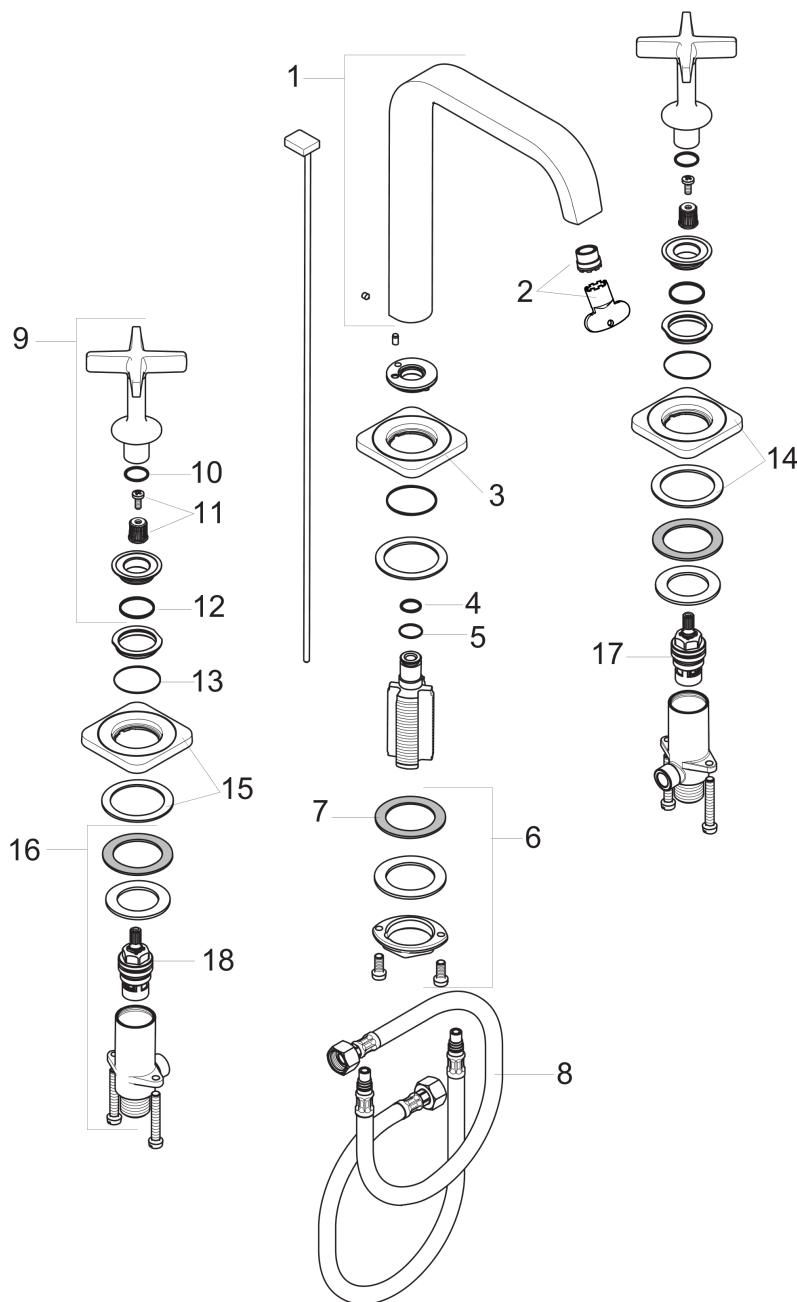


AXOR Citterio E
Widespread Faucet 170 with Pop-Up Drain, 1.2 GPM
Finishes : **chrome** Part no. : **36108001**



Exploded drawing

Year of production: >07/16



AXOR Citterio E
Widespread Faucet 170 with Pop-Up Drain, 1.2 GPM
 Finishes : **chrome** Part no. : **36108001**



Spare parts list

Year of production: >07/16

| Pos. | Description | Part no. | PC | PU |
|------|-------------------------------------|----------|----|----|
| 1 | spout cpl. | 92394000 | 0 | 1 |
| 2 | aerator laminar M16,5x1 (4,5 l/min) | 92876000 | 0 | 1 |
| 3 | escutcheon | 98930000 | 0 | 1 |
| 4 | O-ring 11x2 | 98127000 | 0 | 1 |
| 5 | O-Ring 14x1,5 | 98201000 | 0 | 1 |
| 6 | fixing set (Ø 32) | 13961000 | 0 | 1 |
| 7 | lever collar | 97548000 | 0 | 1 |
| 8 | connection hose 18½" M8x0,75 3/8" | 96321001 | 0 | 1 |
| 9 | handle | 92396000 | 0 | 1 |
| 10 | O-ring 13x2 | 98128000 | 0 | 1 |
| 11 | handle fixing set | 98932000 | 0 | 1 |
| 12 | O-ring 21x2 | 98205000 | 0 | 1 |
| 13 | O-ring 29x1,5 | 92738000 | 0 | 1 |
| 14 | escutcheon cold water | 92398000 | 0 | 1 |
| 15 | escutcheon hot water | 92397000 | 0 | 1 |
| 16 | stop valve cpl. | 97357001 | 0 | 1 |
| 17 | shut off unit left closing | 94008000 | 0 | 1 |
| 18 | shut off unit right closing | 94009000 | 0 | 1 |
| a | pop up waste | 88509000 | 0 | 1 |
| b | fixation extension 35 mm | 13898000 | 0 | 1 |