

## AXOR Universal Accessories

### Roll holder with cover

Surfaces: **Brushed Nickel** Article Number: **42836820**



#### Description

##### product features

- drilling distance 35 mm
- material: metal
- wall-mounted
- mirror-inverted installation possible
- combinable with soap dish / shelf no.42803000 and shelf 300 mm no.42838000 (adapter set no.42870000 necessary)

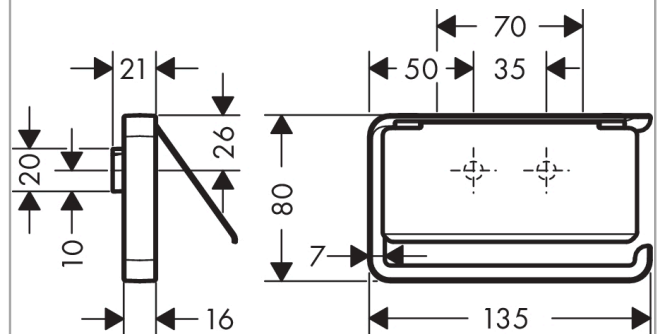
#### Design awards



#### Product image



#### Scale drawing



## AXOR Universal Accessories

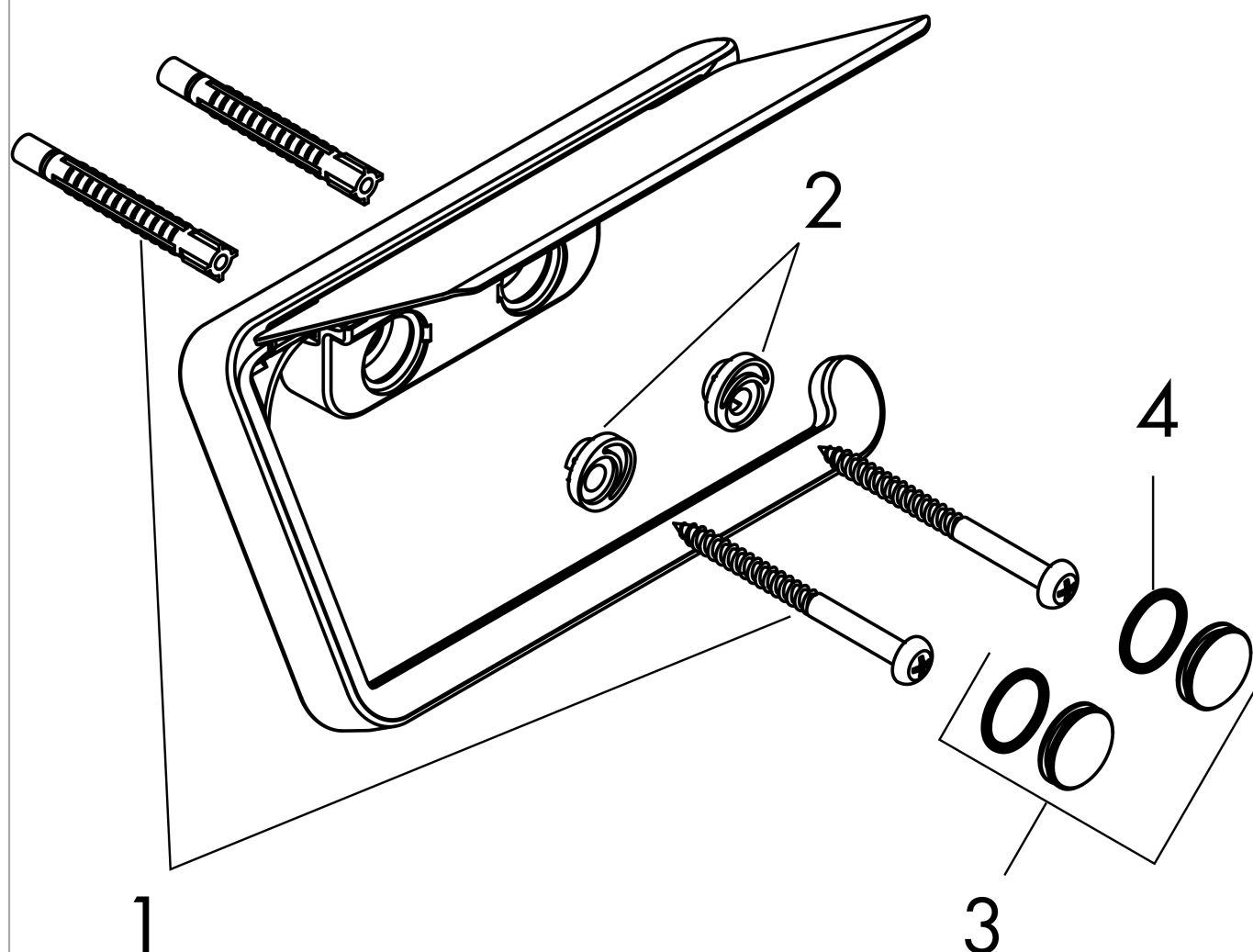
Roll holder with cover

Surfaces: **Brushed Nickel** Article Number: **42836820**



### Exploded Drawing

Year of production: >02/16



## AXOR Universal Accessories

### Roll holder with cover

Surfaces: **Brushed Nickel** Article Number: **42836820**



### Spare part list

Year of production: >02/16

Pos.	Description	Article Number	PC	PU
1	mounting set	40915000	0	1
2	excentric socket	97604000	0	1
3	set of covers	92437820	0	1
4	O-ring 13x1,5	98475000	0	1
a	set of adapters	42870000	0	1
b	set of covers	42871820	0	1
c	mounting kit for two-sided glass montage	42841000	0	1