

## AXOR Universal Accessories Toothbrush Tumbler

Surfaces: **Brushed Nickel** Article Number: **42834820**



### Description

#### product features

- drilling distance 108 mm
- material: glass, metal
- wall-mounted
- adapter set no.42870000 must be used when installing on a rail

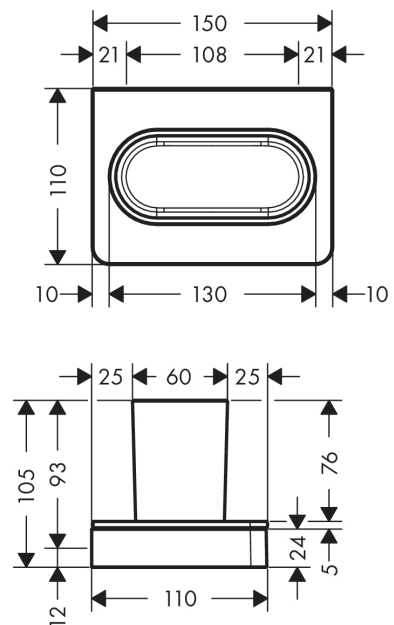
### Design awards



### Product image



### Scale drawing



## AXOR Universal Accessories

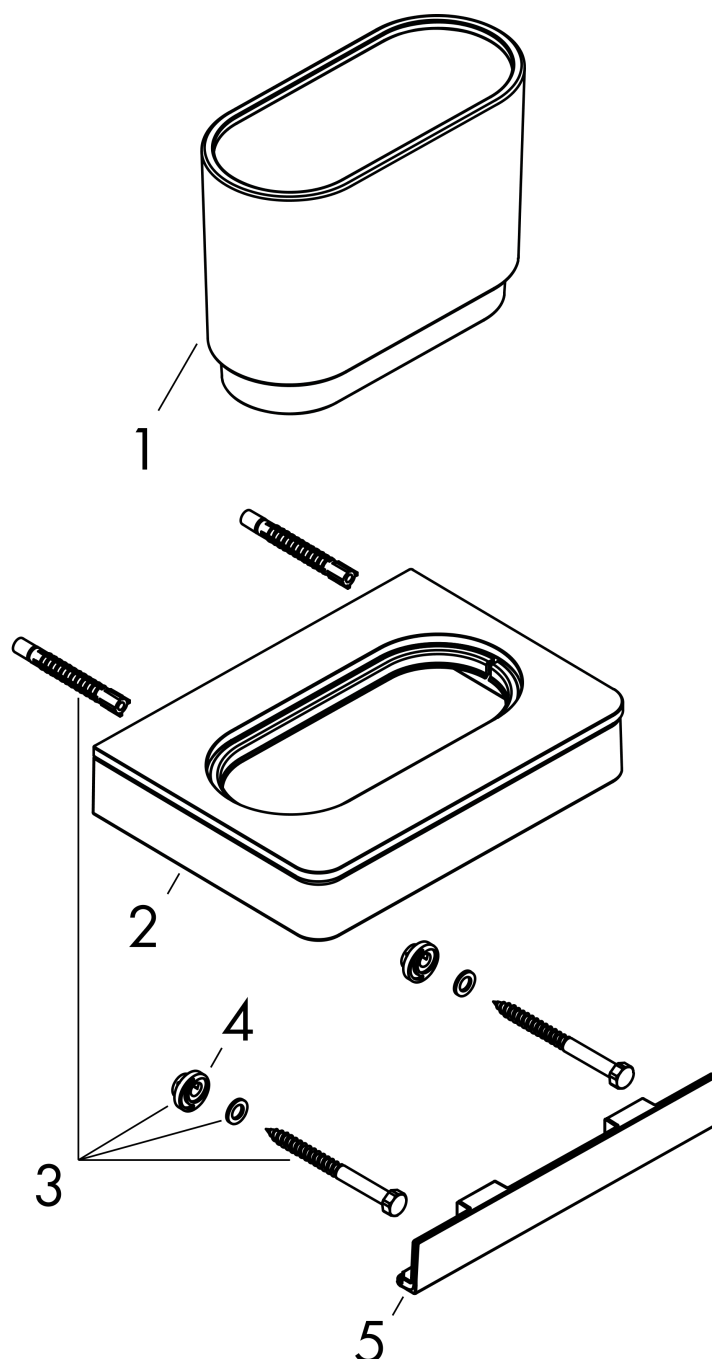
### Toothbrush Tumbler

Surfaces: **Brushed Nickel** Article Number: **42834820**



## Exploded Drawing

Year of production: >02/16



**AXOR Universal Accessories**  
**Toothbrush Tumbler**

Surfaces: **Brushed Nickel**    Article Number: **42834820**



**Spare part list**

Year of production: >02/16

Pos.	Description	Article Number	PC	PU
1	tumbler on its own	92436000	0	1
2	support element	92458820	0	1
3	mounting set	92841000	0	1
4	excentric socket	97604000	0	1
5	cover	92427820	0	1
a	mounting kit for two-sided glass montage	42841000	0	1
b	set of adapters	42870000	0	1
c	set of covers	42871820	0	1