

## AXOR Universal Accessories

### Rail bath towel holder 600 mm

Surfaces: **Brushed Nickel** Article Number: **42832820**



#### Description

##### product features

- use as a rail for accessories and bath towel holder
- drilling distance 600 mm
- material: metal
- wall-mounted
- length 694 mm

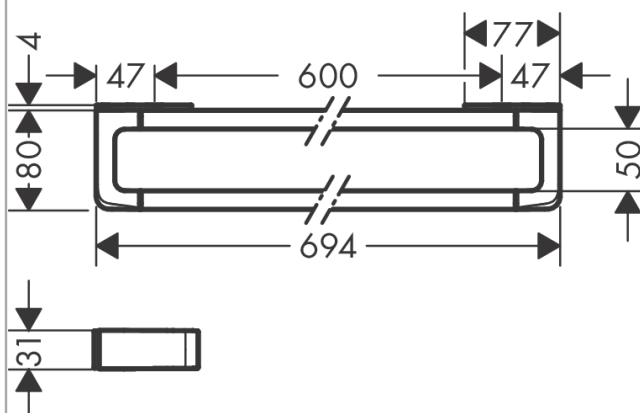
#### Design awards



#### Product image



#### Scale drawing



## AXOR Universal Accessories

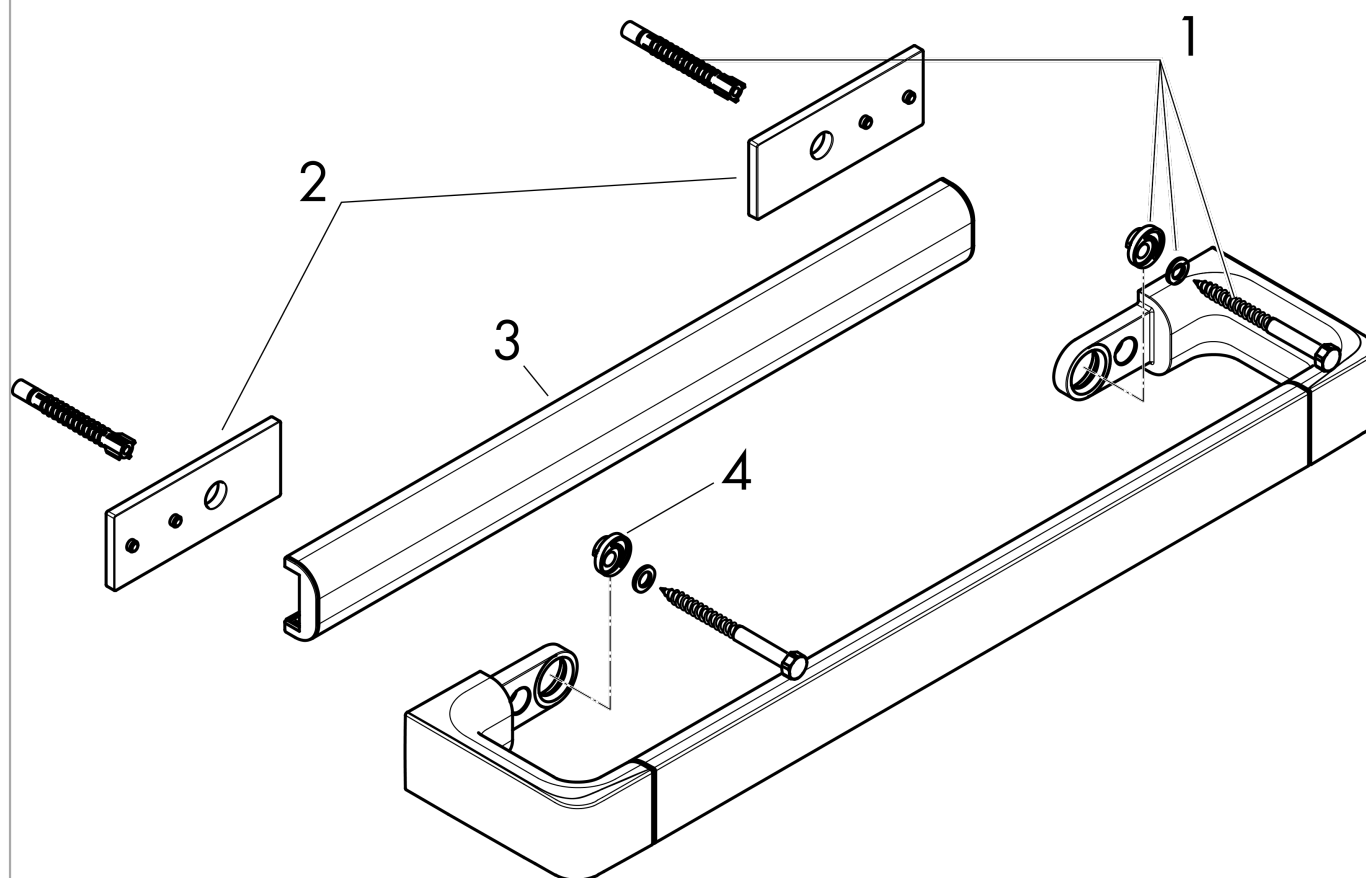
Rail bath towel holder 600 mm

Surfaces: **Brushed Nickel** Article Number: **42832820**



### Exploded Drawing

Year of production: >01/16



**AXOR Universal Accessories**

**Rail bath towel holder 600 mm**

Surfaces: **Brushed Nickel** Article Number: **42832820**



**Spare part list**

Year of production: >01/16

| Pos. | Description                              | Article Number | PC | PU |
|------|--|----------------|----|----|
| 1    | mounting set                             | 92841000       | 0  | 1  |
| 2    | tile-matching-disk                       | 92406820       | 0  | 1  |
| 3    | cover                                    | 92434820       | 0  | 1  |
| 4    | excentric socket                         | 97604000       | 0  | 1  |
| a    | set of adapters                          | 42870000       | 0  | 1  |
| b    | set of covers                            | 42871820       | 0  | 1  |
| c    | mounting kit for two-sided glass montage | 42841000       | 0  | 1  |