

**AXOR ShowerSelect**  
**Thermostatic Trim SoftCube for 2 Functions**  
 Finishes : **brushed nickel** Part no. : **36707821**



## Description

### Features

- Outlets may be operated simultaneously
- Select push-button on/off control for 2 outlets
- Flow: 8.0 GPM (30.3 L/Min) / 2.0 GPM (7.6 L/Min)
- Thermostatic cartridge, Start/stop cartridge
- Anti-scald 100° safety stop
- Optimized for water-efficient shower products
- Trim comes with Select buttons: handshower and Rain
- Optional accessory to limit total flow to 2.0 GPM @ 80 psi where required

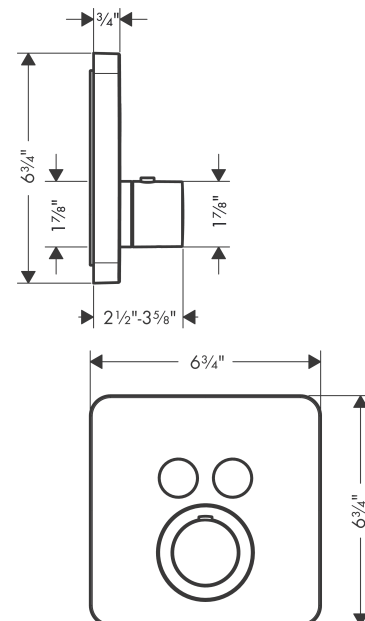
## Technology



## Product image



## Scale drawing

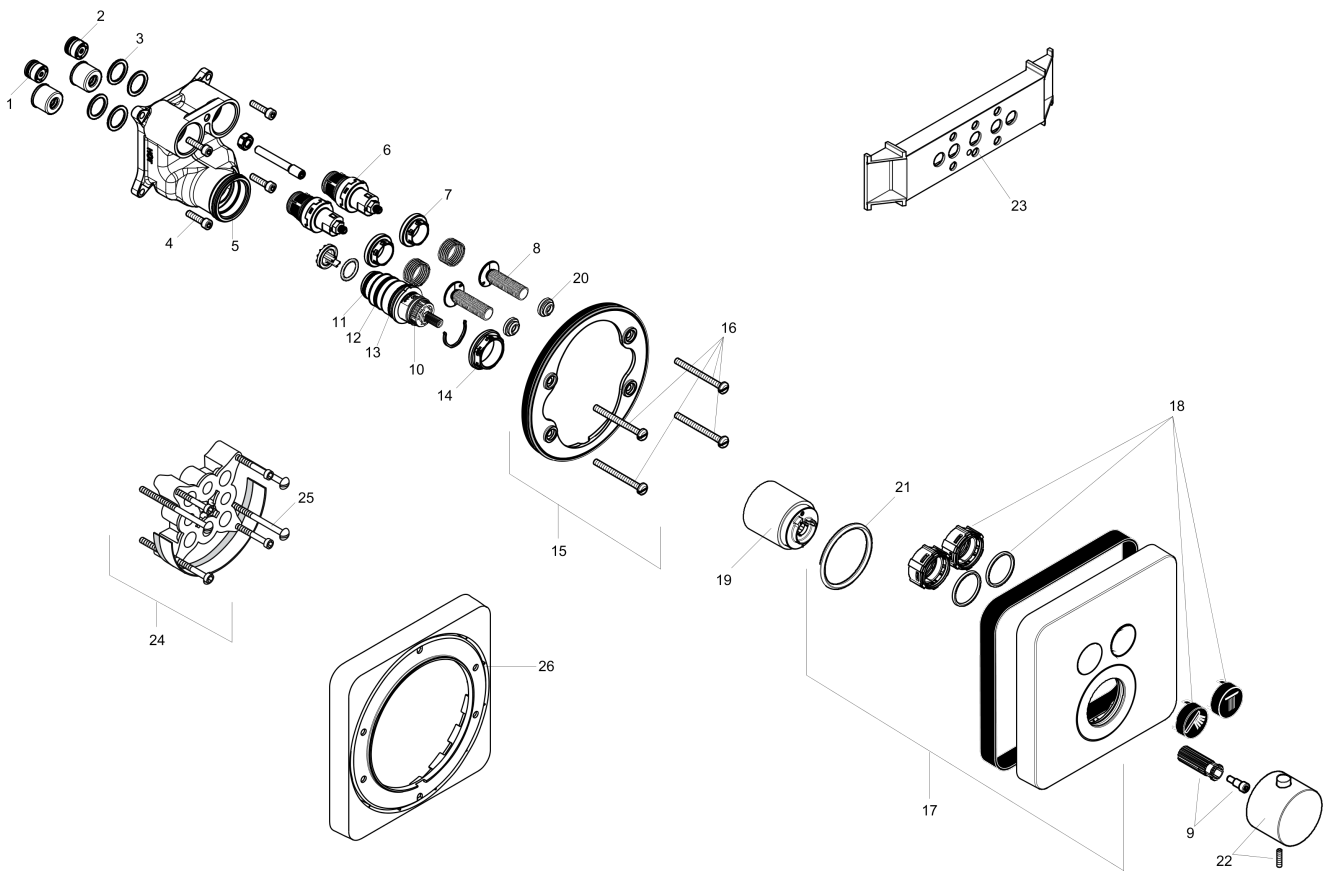


**AXOR ShowerSelect**  
**Thermostatic Trim SoftCube for 2 Functions**  
Finishes : **brushed nickel**    Part no. : **36707821**



## Exploded drawing

Year of production: >07/17



**AXOR ShowerSelect**  
**Thermostatic Trim SoftCube for 2 Functions**  
 Finishes : **brushed nickel** Part no. : **36707821**



## Spare parts list

Year of production: >07/17

Pos.	Description	Part no.	PC	PU
1	non return valve (pressure-resistant up to 2 MPa)	92594000	0	1
2	non return valve	97980000	0	1
3	O-ring 16x2	98133000	0	1
4	set of screws	96525000	0	1
5	O-ring 36x2	98156000	0	1
6	shut off unit	95758000	0	1
7	nut	98368000	0	1
8	Select-adapter	92219000	0	1
9	adapter for handle	98701000	0	1
10	thermostat cartridge	98282000	0	1
11	O-ring 20x1,5	98197000	0	1
12	O-ring 25x1,5	98146000	0	1
13	O-ring 25x2,5	92146000	0	1
14	nut	98913000	0	1
15	holder for escutcheon	98793000	0	1
16	set of fixing screws	96454000	0	1
17	escutcheon 170 / 170 mm	92549821	0	1
18	set of symbols	92544610	0	1
19	sleeve	92216820	0	1
20	nut and flange	92696000	0	1
21	O-Ring 48x3	95508000	0	1
22	handle for thermostat	92534820	0	1
23	fit-up aid	92540000	0	1
24	extension 25 mm	13595000	0	1
25	set of fixing screws	97747000	0	1
26	extension 22 mm	98860820	0	1
a	cartridge for exchanged connections	92373000	0	1
b	noise reduction	94073000	0	1
c	symbol head shower Rain large	93571610	0	1
d	symbol head shower Rain small	93572610	0	1
e	symbol handshower	93573610	0	1
f	symbol Flood jet	93574610	0	1
g	symbol Whirl	93575610	0	1
h	symbol Mono	93576610	0	1

**AXOR ShowerSelect**  
**Thermostatic Trim SoftCube for 2 Functions**  
 Finishes : **brushed nickel**    Part no. : **36707821**



## Spare parts list

Year of production: >07/17

Pos.	Description	Part no.	PC	PU
i	symbol tub	93577610	0	1
j	symbol body shower	93578610	0	1
k	symbol ON/OFF	93579610	0	1
l	compensation set 1°	95521000	0	1