

AXOR Universal Accessories

Roll holder without cover

Surfaces: **Chrome** Article Number: **42846000**



Description

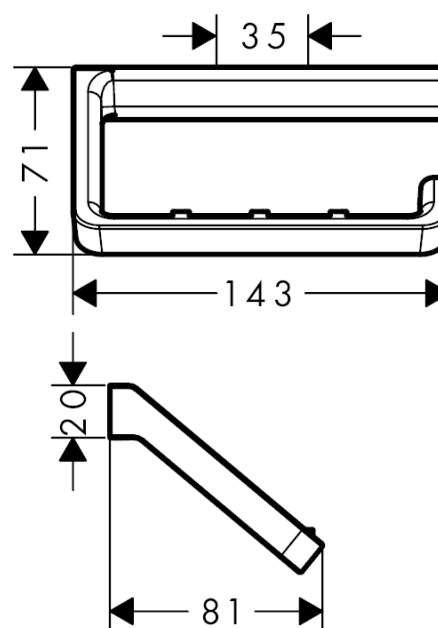
product features

- drilling distance 35 mm
- material: metal
- wall-mounted

Product image



Scale drawing



AXOR Universal Accessories

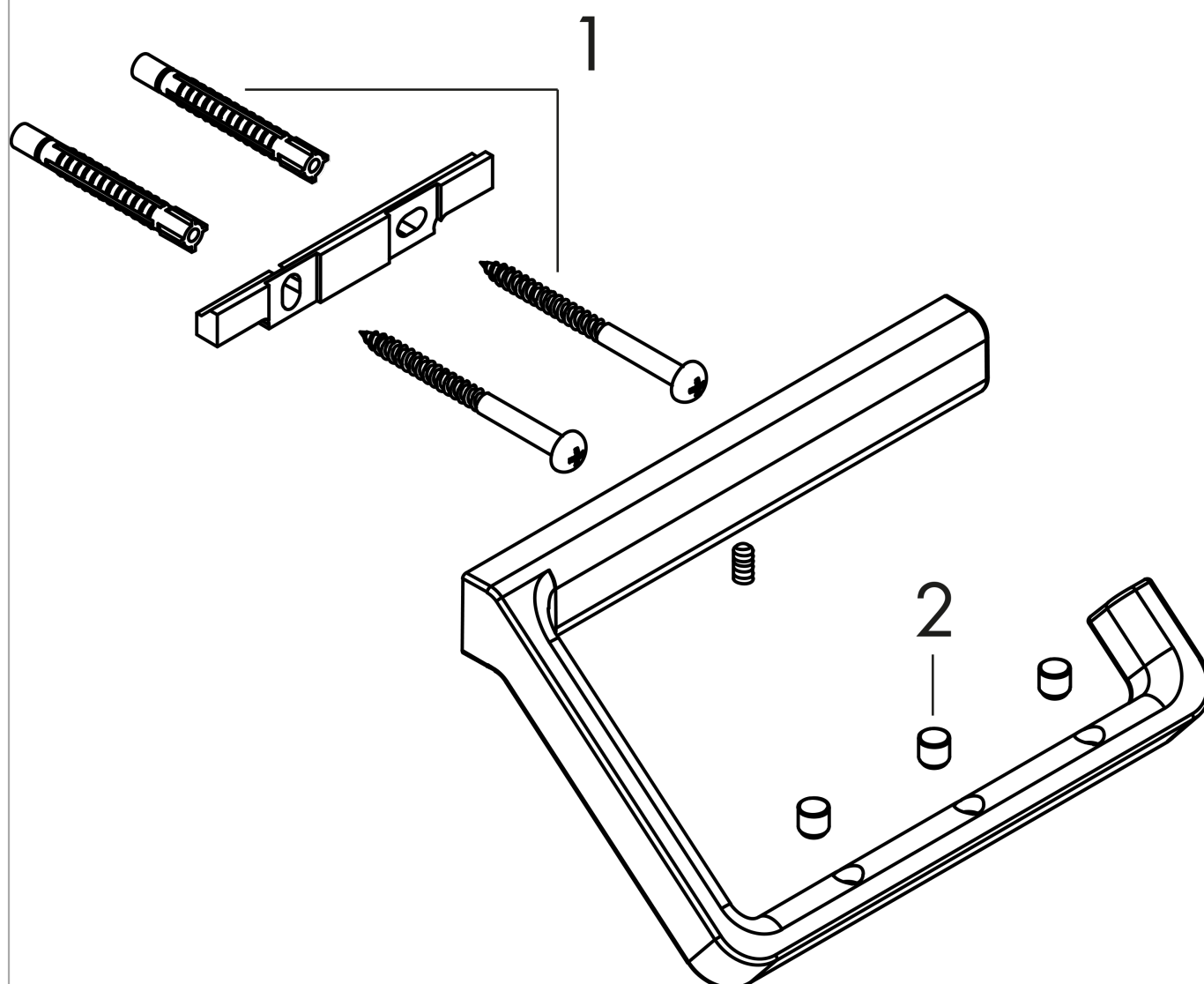
Roll holder without cover

Surfaces: **Chrome** Article Number: **42846000**



Exploded Drawing

Year of production: >06/17



AXOR Universal Accessories

Roll holder without cover

Surfaces: **Chrome** Article Number: **42846000**



Spare part list

Year of production: >06/17

Pos.	Description	Article Number	PC	PU
1	mounting set	40915000	0	1
2	screw cover	96762000	0	1