



HOSPITALITY PLASTIC TOILET SEAT



MODEL #

COLOR #

730SL

DESCRIPTION :

Closed front with cover, round, injection molded solid plastic toilet seat. Features four molded-in bumpers, color-matched Whisper•Close® hinges with STA-TITE® Seat Fastening System™.

SPECIFICATIONS :

Size:	Round
Material:	Plastic
Style:	Closed Front with Cover
Bumpers:	Four
Hinges:	Plastic Whisper•Close®
Fastening System:	STA-TITE® Seat Fastening System™

FEATURES :

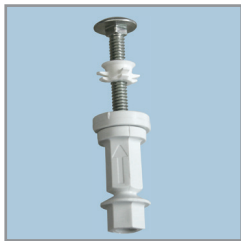
- Whisper•Close®
- STA-TITE® Seat Fastening System™



WHISPER•CLOSE®
FEATURE

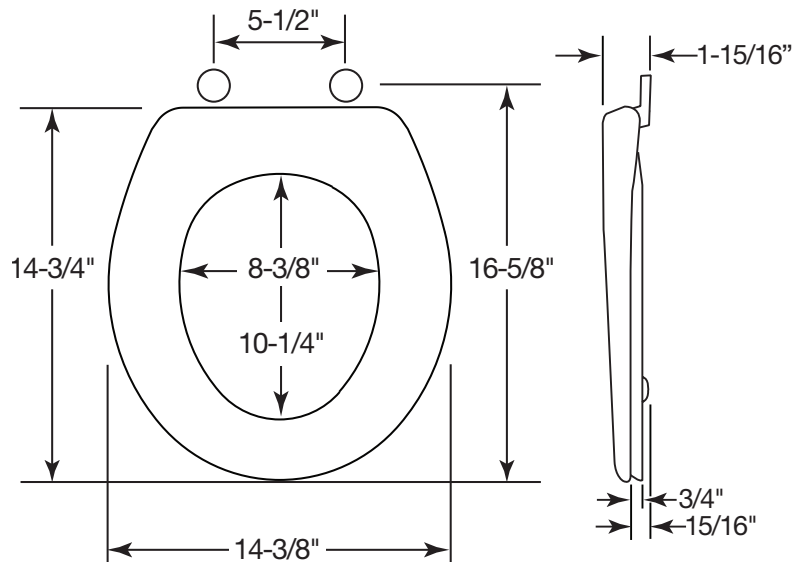


PLASTIC WHISPER•CLOSE®
HINGES



STA-TITE® SEAT
FASTENING SYSTEM™

DIMENSIONS :



Proudly Made in the USA

Bemis Manufacturing Co., Sheboygan Falls, WI 53085
www.ToiletSeats.com

Phone: 800-558-7651 Fax: 800-292-3647
©2014 0B7012344REVA