

FEATURED MODEL

440197 DIAMOND 1-1/2 Bowl Drop-in CAFE BROWN

ADDITIONAL MODELS

- 440201 DIAMOND 1-1/2 Bowl Drop-in BISCUIT
- 440199 DIAMOND 1-1/2 Bowl Drop-in ANTHRACITE
- 440198 DIAMOND 1-1/2 Bowl Drop-in METALLIC GRAY
- 440200 DIAMOND 1-1/2 Bowl Drop-in WHITE
- 441282 DIAMOND 1-1/2 Bowl Drop-in TRUFFLE
- 441221 DIAMOND 1-1/2 Bowl Drop-in BISCOTTI

Versatile dual deck design can be installed as a drop-in or undermount.

FEATURES

- Required Outside Cabinet for drop-in installation: 33"
- Required Cabinet for undermount installation: 35"
- 80% solid granite
- Heat resistant up to 536°F
- Unsurpassed cleanliness backed by industry leading 7 patents!
- Resistant to scratches, stains and all household acids and alkali solutions
- Template provided
- Under mount clips NOT included
- Limited lifetime warranty

OPTIONAL ACCESSORIES

- Cutting Board (Fits Drop-In sink only) - 440227
- Colander - 440492
- Stainless Steel Sink Grid Large - 221011

CODE/STANDARDS COMPLIANCE

- ANSI Z124.6-97
- IAPMO/UPC listed

WARRANTY

BLANCO'S SILGRANIT II Series sinks feature a LIMITED LIFETIME WARRANTY to be free of all manufacturing defects under normal use. See our complete warranty for details.

While BLANCO endeavors to provide accurate information, all dimensions are nominal, cannot be guaranteed, and are subject to change or cancellation. BLANCO assumes no responsibility for use of superseded or voided specifications.

JOB INFORMATION

Job Name: _____

Contact: _____

Date Specified: _____

Specifier: _____

Contractor: _____

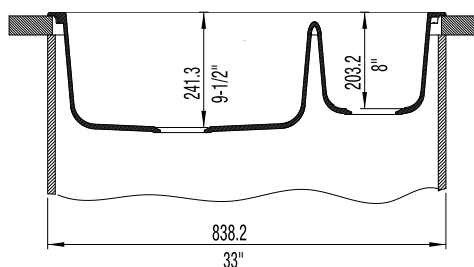
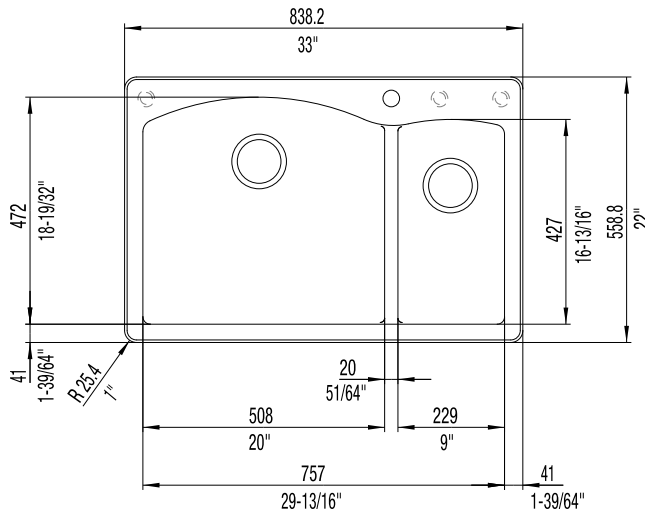


Model 440199 shown

NOMINAL DIMENSIONS

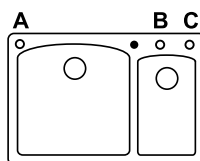
OVERALL	CUTOUT SIZE	BOWL DEPTH		DRAIN DIAMETER
		LEFT	RIGHT	
33 x 22	32-1/4 x 21-1/4	9-1/2	8	3-1/2

DXF cutout templates (Undermount and Drop-In versions) available on our web site



KNOCKOUT HOLE LOCATIONS

Pre-drilled for single-hole faucet.



Note: Distance between B & C holes is approx. 5" on center, because of clip location.

BLANCO AMERICA
 800.451.5782
www.blancoamerica.com